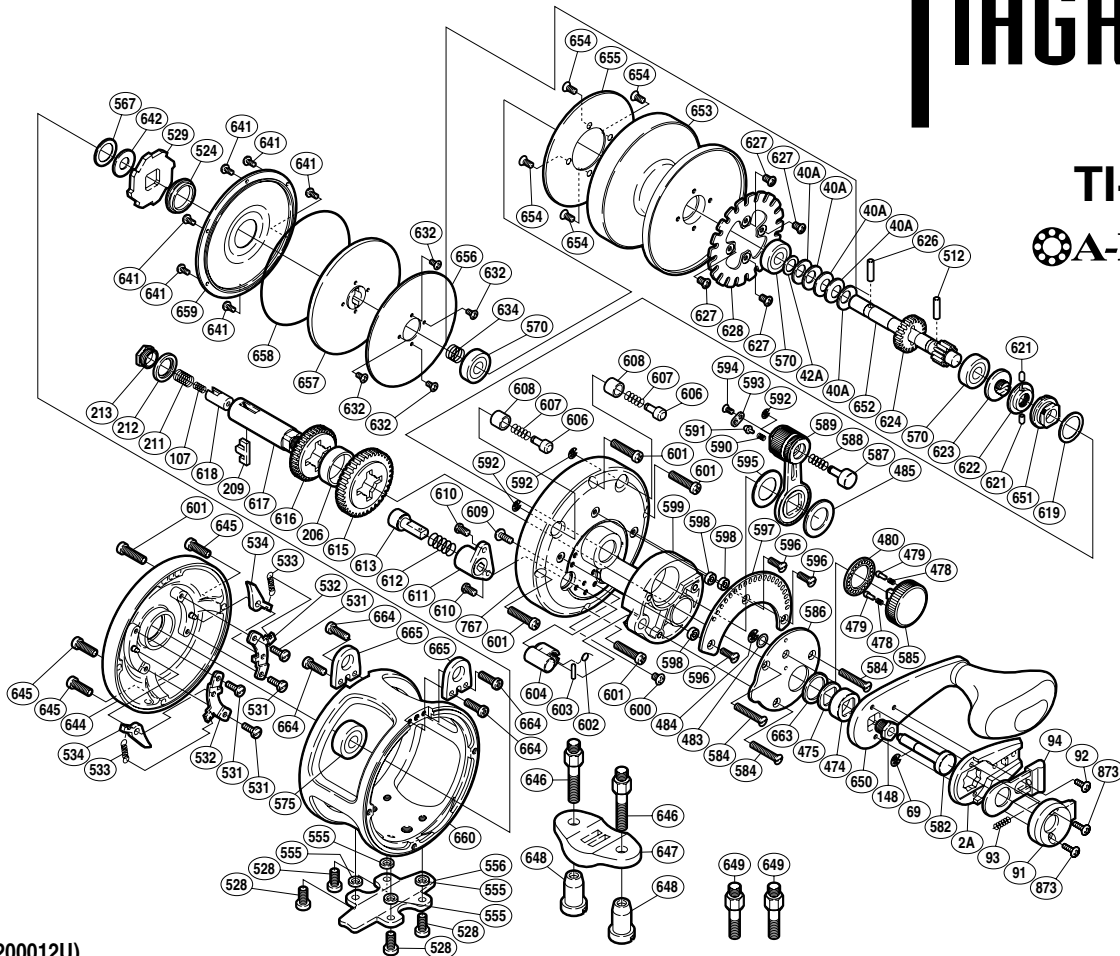


SHIMANO

TIAGRA

TI-12

⊙ A-RB



(1RJ200012U)

Part No.	Description	Part No.	Description	Part No.	Description
TT 0002A	Handle Bolt Plate	TT 0575	Ball Bearing	TT 0619	Lever Shaft Body Washer
TT 0040A	Pre-Load Spring	TT 0582	Push "Low" Button Shaft	TT 0621	Pre-Program Key Pin
TT 0042A	Bearing Thrust Washer	TT 0584	Cover Screw	TT 0622	Pre-Program Key
TT 0069	"E" Lock	TT 0585	Pre-Program Dial	TT 0623	Pre-Program Screw
TT 0091	Push Button Shield	TT 0586	Lever Hub Cover	TT 0624	Pinion Gear (B)
TT 0092	Handle Bolt Plate Screw	TT 0587	Drag Control Button	TT 0626	Cross Pin (B)
TT 0093	Slide Plate Spring	TT 0588	Drag Control Button Spring	TT 0627	Alert Ratchet Screw
TT 0094	Slide Plate	TT 0589	Drag Control Lever	TT 0628	Alert Ratchet
TT 0107	Drive Shaft Spring "B"	TT 0590	Lever Click Shoe	TT 0632	Drag Washer Screw
TT 0148	Handle Bolt	TT 0591	Lever Click	TT 0634	Pressure Plate Spring
TT 0206	Friction Washer (C)	TT 0592	"E" Lock	TT 0641	Cooling Shield Screw
TT 0209	Gear Select Cross Bar	TT 0593	Lever Click Cover	TT 0642	Bearing Spacer
TT 0211	Drive Shaft Spring	TT 0594	Lever Click Cover Screw	TT 0644	Left Side Plate
TT 0212	Friction Washer (A)	TT 0595	Lever Thrust Ring (A)	TT 0645	Left Side Plate Screw
TT 0213	Drive Shaft Screw	TT 0596	Quadrant Anchor Bolt	TT 0650	Handle Assembly
TT 0474	Drive Shaft Shield	TT 0597	Lever Quadrant	TT 0651	Lever Shaft Body
TT 0475	Drive Shaft Thrust Washer	TT 0598	Lever Quadrant Bushing	TT 0652	Pinion Shaft
TT 0478	Friction Shoe Spring	TT 0599	Right Side Plate (B)	TT 0653	Spool
TT 0479	Dial Click Shoe	TT 0600	Drive Shaft Holder Screw	TT 0654	Drag Plate Screw
TT 0480	Dial Click	TT 0601	Right Side Plate Screw	TT 0655	Drag Plate
TT 0483	Dial Washer	TT 0602	Cross Pin Support Spring	TT 0656	Drag Washer
TT 0484	"E" Lock	TT 0603	Plunger Cross Pin (B)	TT 0657	Pressure Plate
TT 0485	Lever Thrust Ring (B)	TT 0604	Plunger Cross Pin Support	TT 0658	"O" Ring (A)
TT 0512	Cross Pin (A)	TT 0606	Free Spool Detent	TT 0659	Cooling Shield
TT 0524	Waterproof Ring	TT 0607	Pressure Spring	TT 0660	One-Piece Frame
TT 0528	Stand Screw	TT 0608	Detent Bushing	TT 0663	Bearing Spacer
TT 0529	Anti-Reverse Ratchet	TT 0609	Right Side Plate (B) Screw	TT 0664	Harness Lug Screw
TT 0531	Set Plate Screw	TT 0610	Plunger Holder Screw	TT 0665	Harness Lug
TT 0532	Set Plate	TT 0611	Plunger Holder	TT 0767	Right Side Plate (A)
TT 0533	Dog Spring	TT 0612	Plunger Spring	TT 0873	Screw
TT 0534	Dog	TT 0613	Alert Plunger		
TT 0555	Stand Washer	TT 0615	Drive Gear (A)	TT 0646	Rod Clamp Bolt (accessory)
TT 0556	Stand	TT 0616	Drive Gear (B)	TT 0647	Rod Clamp (accessory)
TT 0567	Bearing Thrust Washer (B)	TT 0617	Drive Shaft	TT 0648	Rod Clamp Nut (A) (accessory)
TT 0570	Ball Bearing	TT 0618	Cross Bar Stop	TT 0649	Rod Clamp Bolt (S) (accessory)

(240615)