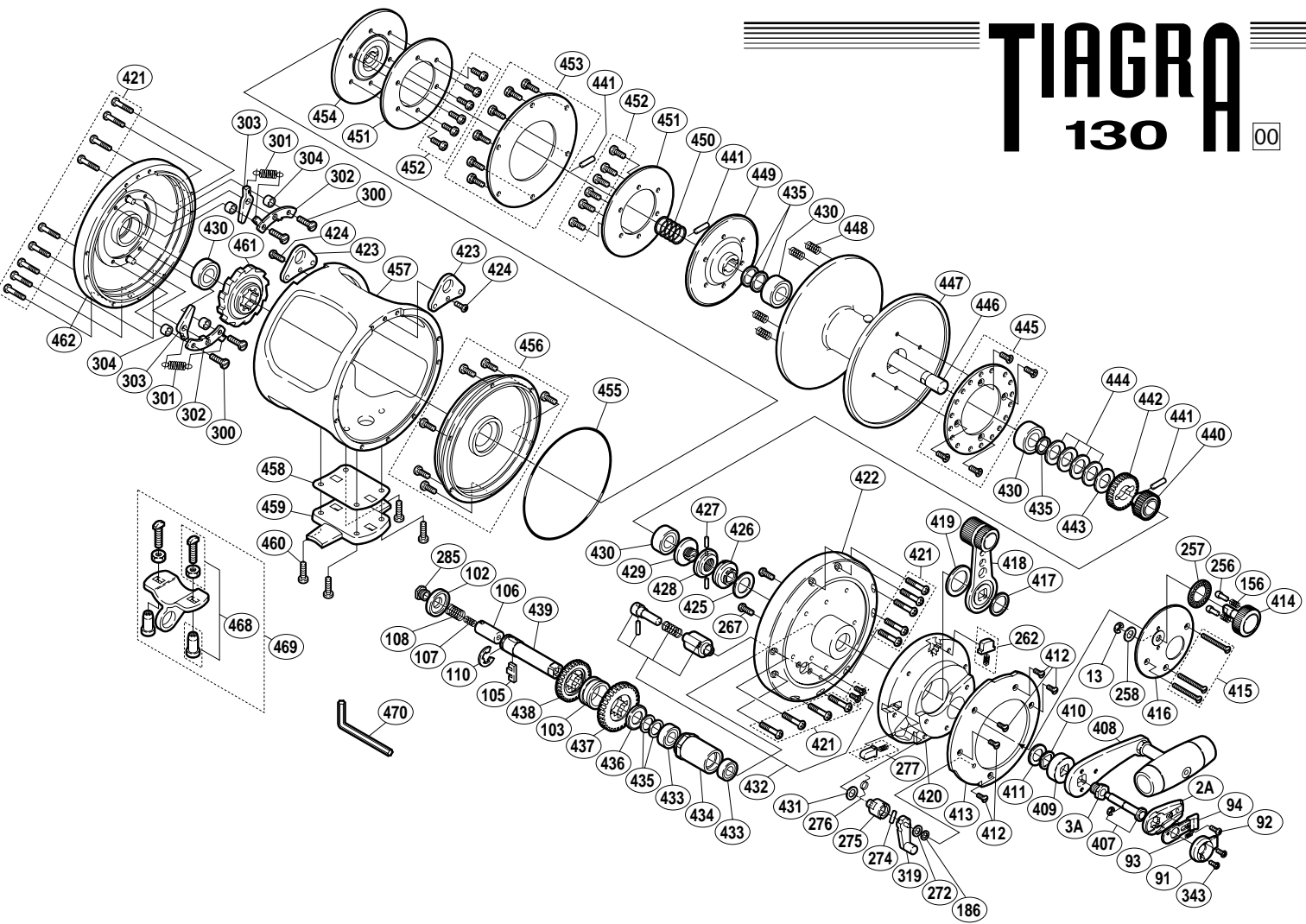


TIAGRA

130



TT No.	PARTS NAMES	TT No.	PARTS NAMES	TT No.	PARTS NAMES
0002A	Handle Bolt Plate	0319	Strike Alert Lever	0437	Drive Gear (A)
0003A	Handle Bolt	0343	Push Button Shield Screw	0438	Drive Gear (B)
0013	"C" Lock	0407	Push "Low" Button Shaft	0439	Drive Shaft
0091	Push Button Shield	0408	Handle Assembly	0440	Pinion Gear (A)
0092	Handle Bolt Plate Screw	0409	Drive Shaft Shield	0441	Cross Pin
0093	Slide Plate Spring	0410	Drive Shaft Thrust Washer	0442	Pinion Gear (B)
0094	Slide Plate	0411	Bearing Spacer	0443	Pre-Load Washer
0102	Friction Washer (A)	0412	Quadrant Anchor Bolts	0444	Pre-Load Spring
0103	Friction Washer (B)	0413	Lever Quadrant	0445	Alert Ratchet
0105	Gear Select Cross Bar	0414	Pre-Program Dial	0446	Main Shaft
0106	Cross Bar Stop	0415	Cover Screws	0447	Spool
0107	Drive Shaft Spring "B"	0416	Lever Hub Cover	0448	Pressure Release Spring
0108	Drive Shaft Spring	0417	Lever Thrust Ring (A)	0449	Pressure Plate (A)
0110	"E" Lock	0418	Drag Control Lever	0450	Pressure Plate Spring
0156	Friction Shoe Spring	0419	Lever Thrust Ring (B)	0451	Drag Washer
0186	Spacer (B)	0420	Right Side Plate (B)	0452	Drag Washer Screws
0256	Dial Click Shoe	0421	Side Plate Screws	0453	Drag Plate
0257	Dial Click	0422	Right Side Plate (A)	0454	Pressure Plate (B)
0258	Dial Washer	0423	Harness Lugs	0455	"O" Ring
0262	Strike Stop	0424	Harness Lug Screw	0456	Cooling Shield
0267	Right Side Plate (B) Screw	0425	Lever Shaft Body Washer	0457	One-Piece Frame
0272	Spacer (A)	0426	Lever Shaft Body	0458	Stand Shield
0274	Plunger Cross Pin (B)	0427	Pre-Program Key Pin	0459	Stand
0275	Plunger Cross Pin Support	0428	Pre-Program Key	0460	Stand Screw
0276	Cross Pin Support Spring	0429	Pre-Program Screw	0461	Anti-Reverse Ratchet
0277	Free Spool Detent	0430	Ball Bearing	0462	Left Side Plate
0285	Drive Shaft Screw	0431	Spacer (C)		
0300	Set Plate Screw	0432	Alert Plunger Assembly		
0301	Dog Spring	0433	Ball Bearing	0468	Rod Clamp Bolt/Nuts
0302	Set Plate	0434	Drive Shaft Holder	0469	Rod Clamp Assembly
0303	Dog	0435	Spacer (D)		
0304	Set Plate Support	0436	Friction Washer (C)	0470	Wrench