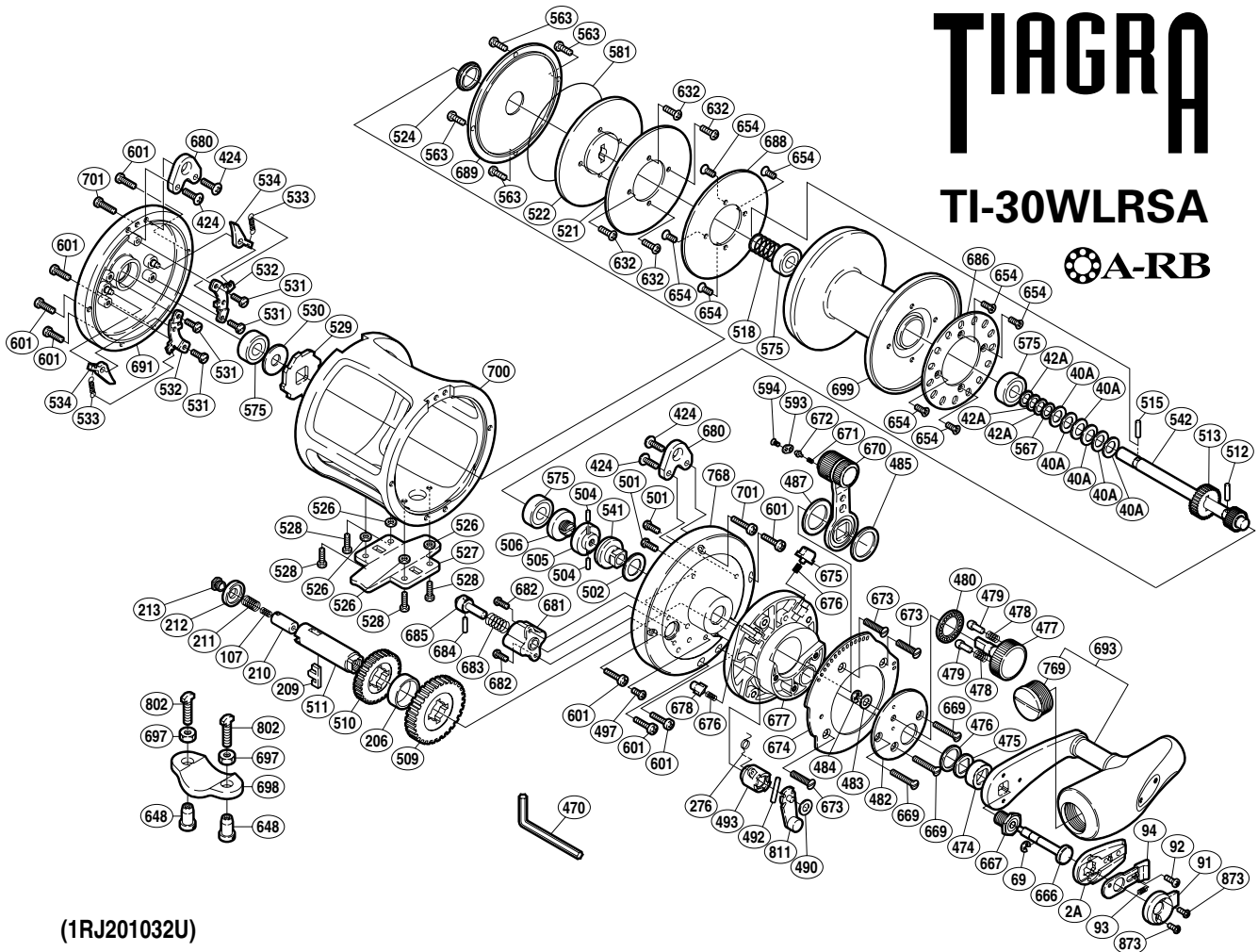


SHIMANO

TIAGRA

TI-30WLRSA



(1RJ201032U)

| Part No. | Description | Part No. | Description | Part No. | Description |
|----------|---------------------------|----------|-----------------------|----------|-----------------------------|
| TT 0002A | Handle Bolt Plate | TT 0504 | Pre-Program Key Pin | TT 0669 | Screw |
| TT 0040A | Pre-Load Spring | TT 0505 | Pre-Program Key | TT 0670 | Drag Control Lever |
| TT 0042A | Bearing Thrust Washer | TT 0506 | Pre-Program Screw | TT 0671 | Lever Click Shoe |
| TT 0069 | E Lock | TT 0509 | Drive Gear A | TT 0672 | Lever Click |
| TT 0091 | Push Button Shield | TT 0510 | Drive Gear B | TT 0673 | Screw |
| TT 0092 | Screw | TT 0511 | Drive Shaft | TT 0674 | Lever Quadrant |
| TT 0093 | Slide Plate Spring | TT 0512 | Cross Pin A | TT 0675 | Strike Stop |
| TT 0094 | Slide Plate | TT 0513 | Pinion Gear B | TT 0676 | Pressure Spring |
| TT 0107 | Drive Shaft Spring B | TT 0515 | Cross Pin B | TT 0677 | Right Side Plate B |
| TT 0206 | Friction Washer C | TT 0518 | Pressure Plate Spring | TT 0678 | Free Spool Detent |
| TT 0209 | Gear Select Cross Bar | TT 0521 | Drag Washer | TT 0680 | Harness Lug |
| TT 0210 | Cross Bar Stop | TT 0522 | Pressure Plate | TT 0681 | Plunger Holder |
| TT 0211 | Drive Shaft Spring | TT 0524 | Waterproof Ring | TT 0682 | Screw |
| TT 0212 | Friction Washer A | TT 0526 | Stand Washer | TT 0683 | Click Spring |
| TT 0213 | Drive Shaft Screw | TT 0527 | Stand | TT 0684 | Plunger Cross Pin A |
| TT 0276 | Cross Pin Support Spring | TT 0528 | Screw | TT 0685 | Alert Plunger |
| TT 0424 | Screw | TT 0529 | Anti-Reverse Ratchet | TT 0686 | Alert Ratchet |
| TT 0474 | Drive Shaft Shield | TT 0530 | Bearing Spacer | TT 0688 | Drag Plate |
| TT 0475 | Drive Shaft Thrust Washer | TT 0531 | Screw | TT 0689 | Cooling Shield |
| TT 0476 | Bearing Spacer | TT 0532 | Set Plate | TT 0691 | Left Side Plate |
| TT 0477 | Pre-Program Dial | TT 0533 | Dog Spring | TT 0693 | Handle Assembly |
| TT 0478 | Friction Shoe Spring | TT 0534 | Dog | TT 0699 | Spool |
| TT 0479 | Dial Click Shoe | TT 0541 | Lever Shaft Body | TT 0700 | One-Piece Frame |
| TT 0480 | Dial Click | TT 0542 | Pinion Shaft | TT 0701 | Screw |
| TT 0482 | Lever Hub Cover | TT 0563 | Screw | TT 0768 | Right Side Plate A |
| TT 0483 | Washer | TT 0567 | Bearing Thrust Washer | TT 0769 | Handle Knob Bushing |
| TT 0484 | E Lock | TT 0575 | Ball Bearing | TT 0811 | Strike Alert Lever |
| TT 0485 | Lever Thrust Ring | TT 0581 | O Ring | TT 0873 | Screw |
| TT 0487 | Lever Thrust Ring | TT 0593 | Lever Click Cover | | |
| TT 0490 | Spacer | TT 0594 | Screw | TT 0648 | Rod Clamp Nut A (accessory) |
| TT 0492 | Plunger Cross Pin B | TT 0601 | Screw | TT 0697 | Rod Clamp Nut B (accessory) |
| TT 0493 | Plunger Cross Pin Support | TT 0632 | Screw | TT 0698 | Rod Clamp (accessory) |
| TT 0497 | Screw | TT 0654 | Screw | TT 0802 | Rod Clamp Bolt (accessory) |
| TT 0501 | Screw | TT 0666 | Push Low Button Shaft | | |
| TT 0502 | Washer | TT 0667 | Handle Bolt | TT 0470 | Wrench (accessory) |