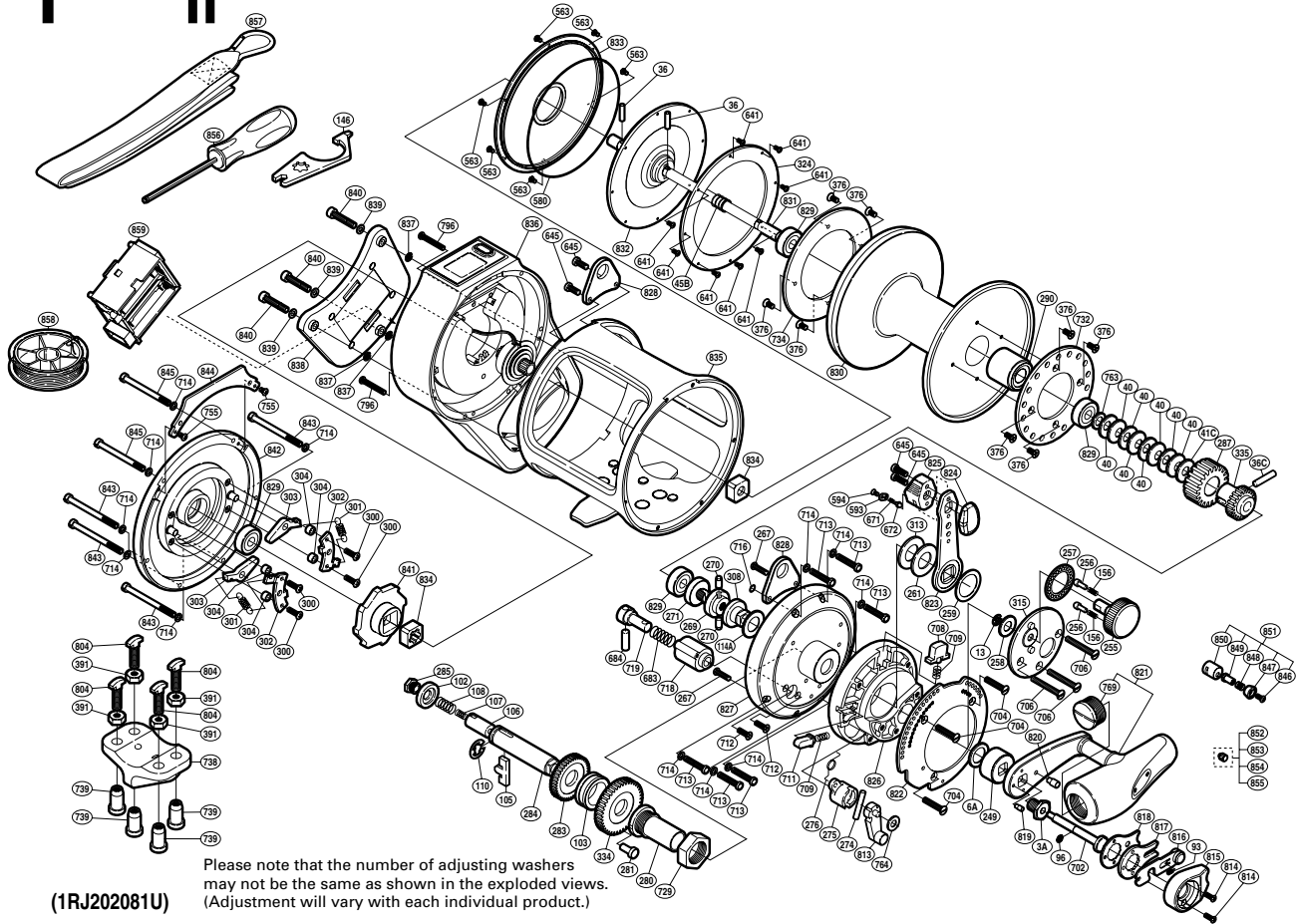


SHIMANO

TIAGRA D3 S A-RB

TI-80WD3



(1RJ202081U)

Part No.	Description	Part No.	Description	Part No.	Description
TT 0003A	Handle Bolt	TT 0308	Lever Shaft Body	TT 0823	Drag Control Lever
TT 0006A	Drive Shaft Washer	TT 0313	Lever Thrust Ring	TT 0824	Drag Lever Knob B
TT 0013	C Lock	TT 0315	Lever Hub Cover	TT 0825	Drag Lever Knob A
TT 0036	Cross Pin A	TT 0324	Drag Washer	TT 0826	Right Side Plate B
TT 0036C	Cross Pin B	TT 0334	Drive Gear A	TT 0827	Right Side Plate
TT 0040	Pre-Load Spring	TT 0335	Pinion Gear A	TT 0828	Harness Lug
TT 0041C	Pre-Load Washer	TT 0376	Screw	TT 0829	Ball Bearing
TT 0045B	Pressure Plate Spring	TT 0563	Screw	TT 0830	Spool
TT 0093	Slide Plate Spring	TT 0580	O Ring	TT 0831	Main Shaft
TT 0096	E Lock	TT 0593	Lever Click Cover	TT 0832	Pressure Plate
TT 0102	Friction Washer A	TT 0594	Screw	TT 0833	Cooling Shield
TT 0103	Friction Washer B	TT 0641	Screw	TT 0834	Shaft Holder
TT 0105	Gear Select Cross Bar	TT 0645	Screw	TT 0835	One-Piece Frame
TT 0106	Cross Bar Stop	TT 0671	Lever Click Shoe	TT 0836	Left Side Plate Frame Assembly
TT 0107	Drive Shaft Spring B	TT 0672	Liver Click	TT 0837	C Lock
TT 0108	Drive Shaft Spring	TT 0683	Click Spring	TT 0838	Battery Cover
TT 0110	E Lock	TT 0684	Plunger Cross Pin A	TT 0839	Washer
TT 0114A	Washer	TT 0702	Push Low Button Shaft	TT 0840	Screw
TT 0156	Friction Shoe Spring	TT 0704	Screw	TT 0841	Anti-Reverse Ratchet
TT 0249	Drive Shaft Shield	TT 0706	Screw	TT 0842	Left Side Plate
TT 0255	Pre-Program Dial	TT 0708	Strike Stop	TT 0843	Screw
TT 0256	Dial Click Shoe	TT 0709	Pressure Spring	TT 0844	Counter Guard
TT 0257	Dial Click	TT 0711	Free Spool Detent	TT 0845	Screw
TT 0258	Washer	TT 0712	Screw		
TT 0259	Lever Thrust Ring	TT 0713	Screw		
TT 0261	Lever Thrust Ring	TT 0714	Washer	TT 0391	Rod Clamp Nut B (accessory)
TT 0267	Screw	TT 0716	O Ring	TT 0738	Rod Clamp (accessory)
TT 0269	Pre-Program Key	TT 0718	Plunger Holder	TT 0739	Rod Clamp Nut A (accessory)
TT 0270	Pre-Program Key Pin	TT 0719	Alert Plunger	TT 0804	Rod Clamp Bolt (accessory)
TT 0271	Pre-Program Screw	TT 0732	Alert Ratchet		
TT 0274	Plunger Cross Pin B	TT 0734	Drag Plate	TT 0846	Screw (accessory)
TT 0275	Plunger Cross Pin Support	TT 0755	Screw	TT 0847	Lever Stopper Knob (accessory)
TT 0276	Cross Pin Support Spring	TT 0763	Bearing Thrust Washer	TT 0848	Lever Stopper Pin Spring (accessory)
TT 0279	Holder Nut	TT 0764	Spacer	TT 0849	Lever Stopper Pin (accessory)
TT 0280	Drive Shaft Holder	TT 0769	Handle Knob Bushing	TT 0850	Lever Stopper Holder (accessory)
TT 0281	Lock Pin	TT 0796	Screw	TT 0851	Lever Stopper Unit (accessory)
TT 0283	Drive Gear B	TT 0813	Strike Alert Lever	TT 0852	Lever Quadrant Marking A (accessory)
TT 0284	Drive Shaft	TT 0814	Screw	TT 0853	Lever Quadrant Marking B (accessory)
TT 0285	Drive Shaft Screw	TT 0815	Push Button Shield	TT 0854	Lever Quadrant Marking C (accessory)
TT 0287	Pinion Gear B	TT 0816	Slide Plate	TT 0855	Lever Quadrant Marking D (accessory)
TT 0290	Piston Assembly	TT 0817	Handle Bolt Plate B		
TT 0300	Screw	TT 0818	Handle Bolt Plate A	TT 0146	Wrench (accessory)
TT 0301	Dog Spring	TT 0819	Slide Plate Guide Pin	TT 0856	Screw Driver (accessory)
TT 0302	Set Plate	TT 0820	Slide Plate Spring Guide	TT 0857	Safety Strap (accessory)
TT 0303	Dog	TT 0821	Handle Assembly	TT 0858	Bobbin with Line (accessory)
TT 0304	Set Plate Support	TT 0822	Lever Quadrant	TT 0859	Battery Case Unit (accessory)