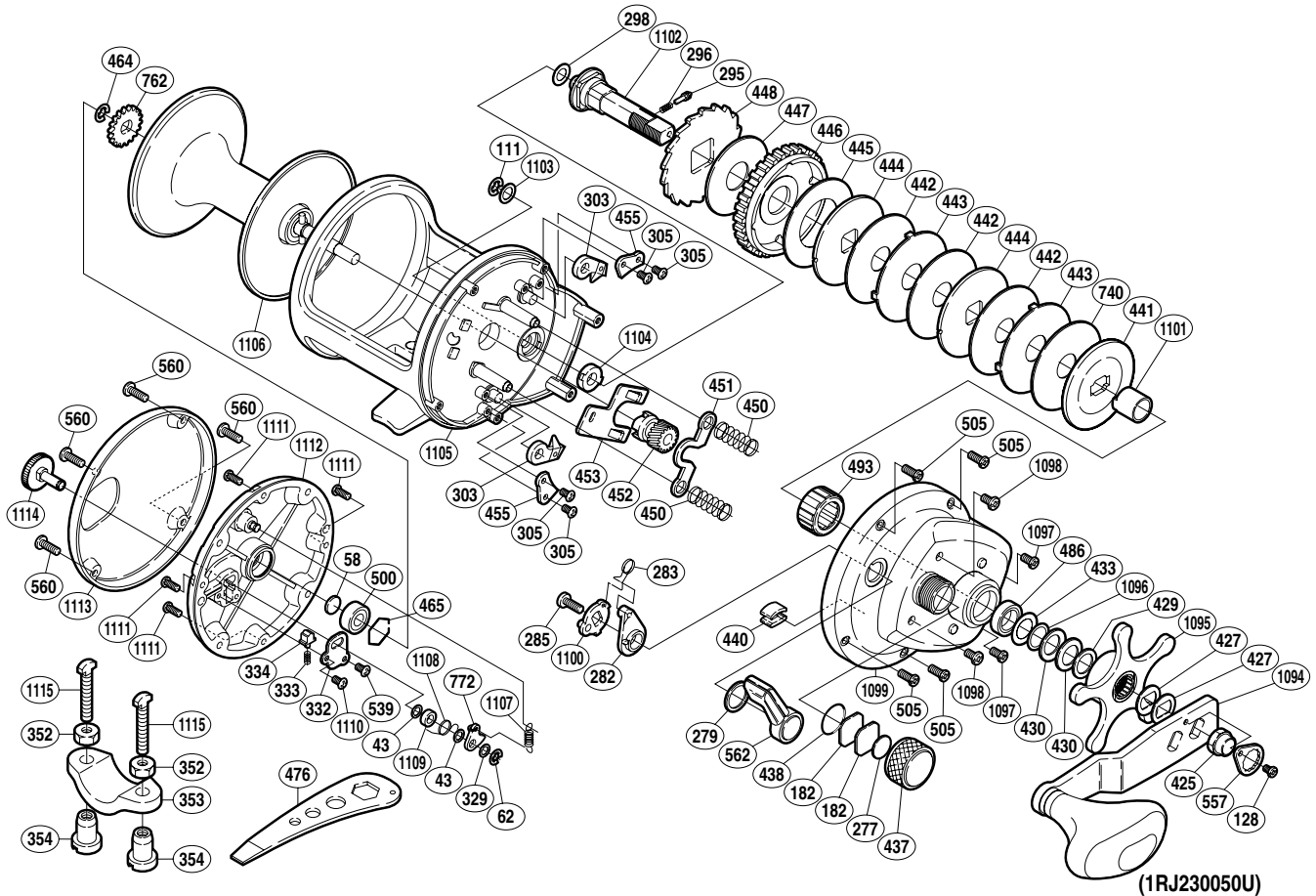


SHIMANO®

TORIUM A-RB

TOR-50



(1RJ230050U)

Part No.	Description	Part No.	Description	Part No.	Description
TGT0043	Spacer	TGT0441	Key Washer	TGT1096	Washer
TGT0058	Spacer B	TGT0442	Drag Washer	TGT1097	Screw
TGT0062	E Lock	TGT0443	Eared Washer	TGT1098	Screw
TGT0111	E Lock	TGT0444	Key Washer	TGT1099	Right Side Plate
TGT0128	Screw	TGT0445	Drag Washer	TGT1100	Clutch Cam
TGT0182	Cast Control Spacer	TGT0446	Drive Gear	TGT1101	Roller Clutch Inner Tube
TGT0277	Cast Control Spacer	TGT0447	Drag Washer	TGT1102	Drive Shaft
TGT0279	Smoother	TGT0448	Anti-Reverse Ratchet	TGT1103	Washer
TGT0282	Eccentric Cam Bushing	TGT0450	Yoke Spring	TGT1104	Bushing
TGT0283	Clutch Spring	TGT0451	Yoke	TGT1105	One-Piece Frame
TGT0285	Screw	TGT0452	Pinion Gear	TGT1106	Spool Assembly
TGT0295	Click Pin	TGT0453	Yoke Plate	TGT1107	Click Pawl Spring
TGT0296	Click Spring	TGT0455	Anti-Reverse Pawl Keeper	TGT1108	Click Force Spring
TGT0298	Washer	TGT0464	E Lock	TGT1109	Click Pawl Spacer
TGT0303	Anti-Reverse Pawl	TGT0465	Bearing Retainer	TGT1110	Screw
TGT0305	Screw	TGT0486	Ball Bearing	TGT1111	Screw
TGT0329	Spacer	TGT0493	Roller Clutch Bearing	TGT1112	Left Side Plate
TGT0332	Click Spring Retainer	TGT0500	Ball Bearing	TGT1113	Left Side Plate Cover
TGT0333	Click Spring	TGT0505	Screw	TGT1114	Click Button
TGT0334	Click Spring Holder	TGT0539	Screw		
TGT0425	Handle Nut	TGT0557	Handle Nut Plate		
TGT0427	Drive Shaft Shield	TGT0560	Screw		
TGT0429	Star Drag Washer	TGT0562	Clutch Lever	TGT0352	Rod Clamp Nut B (accessory)
TGT0430	Corned Disc Spring (10L)	TGT0740	Drag Washer	TGT0353	Rod Clamp (accessory)
TGT0433	Bearing Seal	TGT0762	Click Gear	TGT0354	Rod Clamp Nut A (accessory)
TGT0437	Cast Control Cap	TGT0772	Click Pawl	TGT1115	Rod Clamp Bolt (accessory)
TGT0438	O Ring	TGT1094	Handle Assembly		
TGT0440	Line Clip	TGT1095	Star Drag	TGT0476	Wrench (accessory)