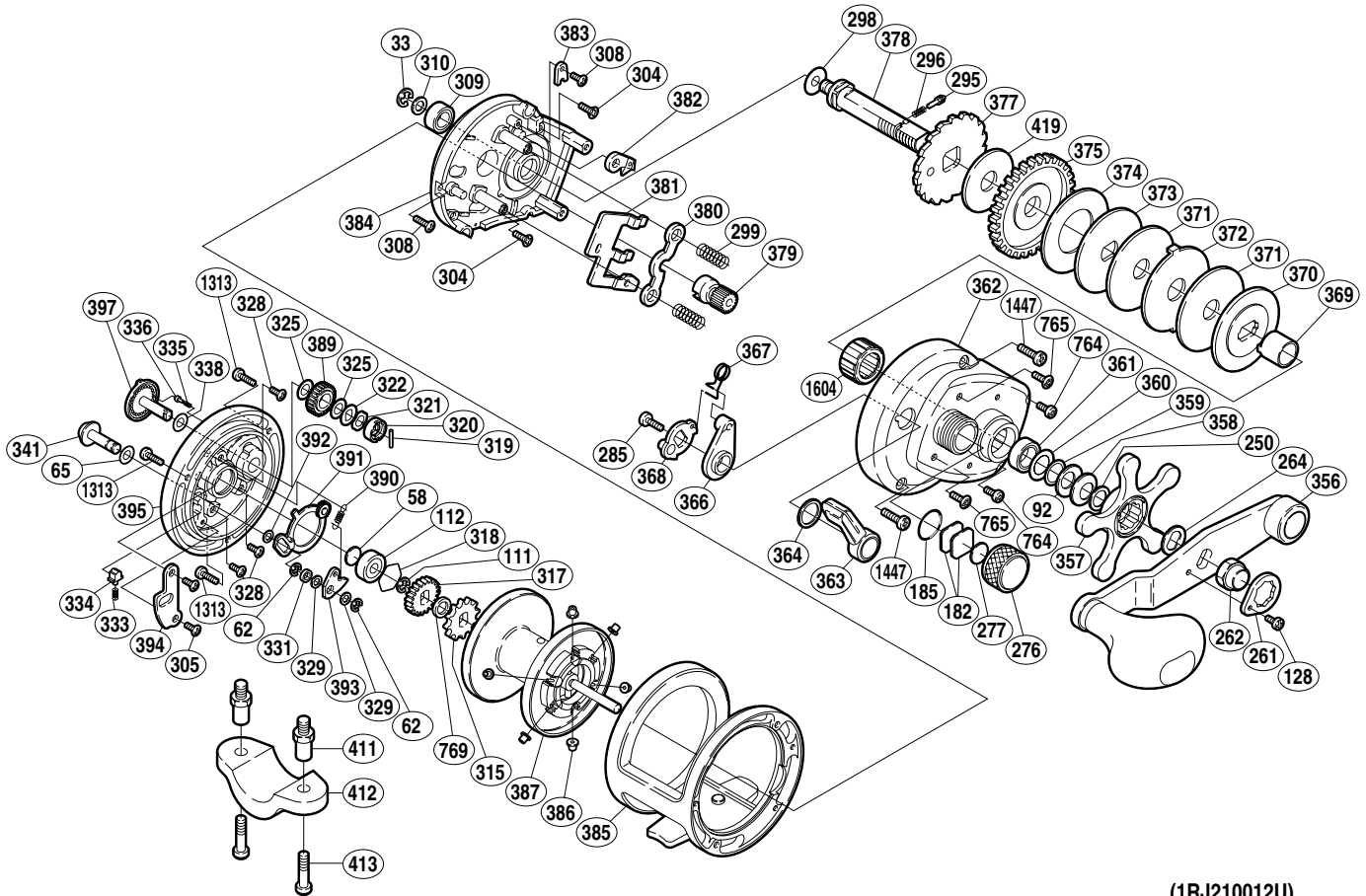


SHIMANO

TRINIDAD

TN-12



(1RJ210012U)

Part No.	Description	Part No.	Description	Part No.	Description
TGT0033	Drive Shaft Retainer	TGT0321	"BR" Friction Washer	TGT0377	Anti-Reverse Ratchet
TGT0058	Spacer "B"	TGT0322	"BR" Washer (C)	TGT0378	Drive Shaft
TGT0062	Click Pawl Retainer	TGT0325	"BR" Washer (B)	TGT0379	Pinion Gear
TGT0065	Spacer (A)	TGT0328	"BR" Set Plate Screw	TGT0380	Yoke
TGT0092	Drag Spring Washer (8H)	TGT0329	Spacer (B)	TGT0381	Yoke Plate
TGT0111	Click Gear Retainer	TGT0331	Click Pawl Spacer	TGT0382	Anti-Reverse Pawl
TGT0112	Ball Bearing	TGT0333	Click Spring	TGT0383	Anti-Reverse Pawl Keeper
TGT0128	Handle Nut Plate Screw	TGT0334	Click Spring Holder	TGT0384	Set Plate
TGT0182	Cast Control Spacer (A)	TGT0335	"BR" Click Spring	TGT0385	One-Piece Frame
TGT0185	"O" Ring	TGT0336	"BR" Click Pin	TGT0386	Brake Collar
TGT0250	Star Drag Washer	TGT0338	"BR" Washer (D)	TGT0387	Spool Assembly
TGT0261	Handle Nut Plate	TGT0341	Click Button	TGT0389	"BR" Gear (C)
TGT0262	Handle Nut	TGT0356	Handle Assembly	TGT0390	Click Pawl Spring
TGT0264	Drive Shaft Shield	TGT0357	Star Drag	TGT0391	"BR" Set Plate
TGT0276	Cast Control Cap	TGT0358	Drag Spring Washer (8L)	TGT0392	Spacer (D)
TGT0277	Cast Control Spacer (B)	TGT0359	Bearing Thrust Washer	TGT0393	Click Pawl
TGT0285	Clutch Lever Screw	TGT0360	Bearing Seal	TGT0394	Click Spring Retainer
TGT0295	Click Pin	TGT0361	Ball Bearing	TGT0395	Left Side Plate
TGT0296	Click Spring	TGT0362	Right Side Plate	TGT0397	"BR" Dial
TGT0298	Drive Shaft Washer (B)	TGT0363	Clutch Lever	TGT0419	Drag Washer (A)
TGT0299	Yoke Spring	TGT0364	Smoother	TGT0764	Right Side Plate Screw (D)
TGT0304	Set Plate Screw (B)	TGT0366	Eccentric Cam Bushing	TGT0765	Right Side Plate Screw (C)
TGT0305	Click Spring Retainer Screw	TGT0367	Clutch Spring	TGT0769	Spool Shaft Spacer
TGT0308	Multi-Purpose Screw	TGT0368	Clutch Cam	TGT1313	Left Side Plate Screw
TGT0309	Ball Bearing	TGT0369	Roller Clutch Inner Tube	TGT1447	Right Side Plate Screw (A)
TGT0310	Drive Shaft Washer (A)	TGT0370	Key Washer	TGT1604	Roller Clutch Bearing
TGT0315	Click Gear	TGT0371	Drag Washer (D)		
TGT0317	"BR" Gear (A)	TGT0372	Eared Washer (E)		
TGT0318	Bearing Retainer	TGT0373	Key Washer (C)	TGT0411	Rod Clamp Nut (accessory)
TGT0319	"BR" Cam Pin	TGT0374	Drag Washer (B)	TGT0412	Rod Clamp (accessory)
TGT0320	"BR" Cam	TGT0375	Drive Gear	TGT0413	Rod Clamp Bolt (accessory)

(210703)