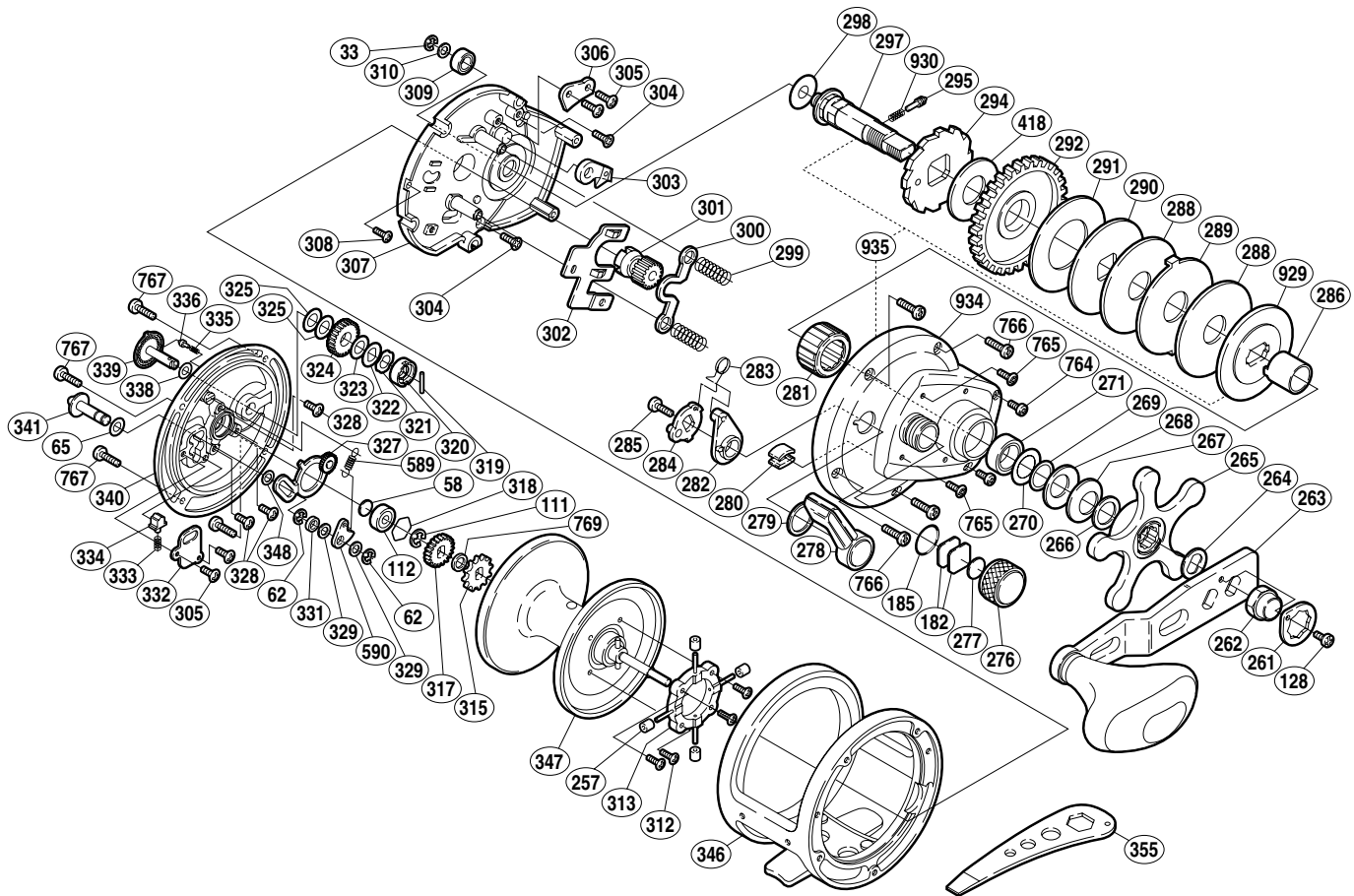


SHIMANO®

TRINIDAD

TN-16



Part No.	Description	Part No.	Description	Part No.	Description
TGT0033	Drive Shaft Retainer	TGT0288	Drag Washer (D)	TGT0325	"BR" Washer (B)
TGT0058	Spacer "B"	TGT0289	Eared Washer (E)	TGT0327	"BR" Set Plate
TGT0062	Click Pawl Retainer	TGT0290	Key Washer (C)	TGT0328	"BR" Set Plate Screw
TGT0065	Spacer (A)	TGT0291	Drag Washer (B)	TGT0329	Spacer (B)
TGT0111	Click Gear Retainer	TGT0292	Drive Gear	TGT0331	Click Pawl Spacer
TGT0112	Ball Bearing	TGT0294	Anti-Reverse Ratchet	TGT0332	Click Spring Retainer
TGT0128	Handle Nut Plate Screw	TGT0295	Click Pin	TGT0333	Click Spring
TGT0182	Cast Control Spacer (A)	TGT0296	Click Spring	TGT0334	Click Spring Holder
TGT0185	"O" Ring	TGT0298	Drive Shaft Washer (B)	TGT0335	"BR" Click Spring
TGT0257	Brake Collar	TGT0299	Yoke Spring	TGT0336	"BR" Click Pin
TGT0261	Handle Nut Plate	TGT0300	Yoke	TGT0338	"BR" Washer (D)
TGT0262	Handle Nut	TGT0301	Pinion Gear	TGT0339	"BR" Dial
TGT0263	Handle Assembly	TGT0302	Yoke Plate	TGT0340	Left Side Plate
TGT0264	Drive Shaft Shield	TGT0303	Anti-Reverse Pawl	TGT0341	Click Button
TGT0265	Star Drag	TGT0304	Set Plate Screw (B)	TGT0346	One-Piece Frame
TGT0266	Star Drag Washer	TGT0305	Multi-Purpose Screw	TGT0347	Spool Assembly
TGT0267	Drag Spring Washer (9L)	TGT0306	Anti-Reverse Pawl Keeper	TGT0348	Spacer (C)
TGT0268	Drag Spring Washer (9H)	TGT0307	Set Plate	TGT0418	Drag Washer (A)
TGT0269	Bearing Thrust Washer	TGT0308	Set Plate Screw (A)	TGT0589	Click Pawl Spring
TGT0270	Bearing Seal	TGT0309	Ball Bearing	TGT0590	Click Pawl
TGT0271	Ball Bearing	TGT0310	Drive Shaft Washer (A)	TGT0764	Right Side Plate Screw (D)
TGT0276	Cast Control Cap	TGT0312	Brake Shaft Holder Screw	TGT0765	Right Side Plate Screw (C)
TGT0277	Cast Control Spacer (B)	TGT0313	Brake Shaft Holder	TGT0766	Right Side Plate Screw (A)
TGT0278	Clutch Lever	TGT0315	Click Gear	TGT0767	Left Side Plate Screw
TGT0279	Smoother	TGT0317	"BR" Gear (A)	TGT0769	Spool Shaft Spacer
TGT0280	Line Clip	TGT0318	Bearing Retainer	TGT0929	Key Washer
TGT0281	Roller Clutch Bearing	TGT0319	"BR" Cam Pin	TGT0930	Drive Shaft
TGT0282	Eccentric Cam Bushing	TGT0320	"BR" Cam	TGT0934	Right Side Plate
TGT0283	Clutch Spring	TGT0321	"BR" Friction Washer	TGT0935	Upgrade Assembly
TGT0284	Clutch Cam	TGT0322	"BR" Washer (C)		
TGT0285	Clutch Lever Screw	TGT0323	"BR" Washer (A)		
TGT0286	Roller Clutch Inner Tube	TGT0324	"BR" Gear (C)	TGT0355	Wrench (accessory)