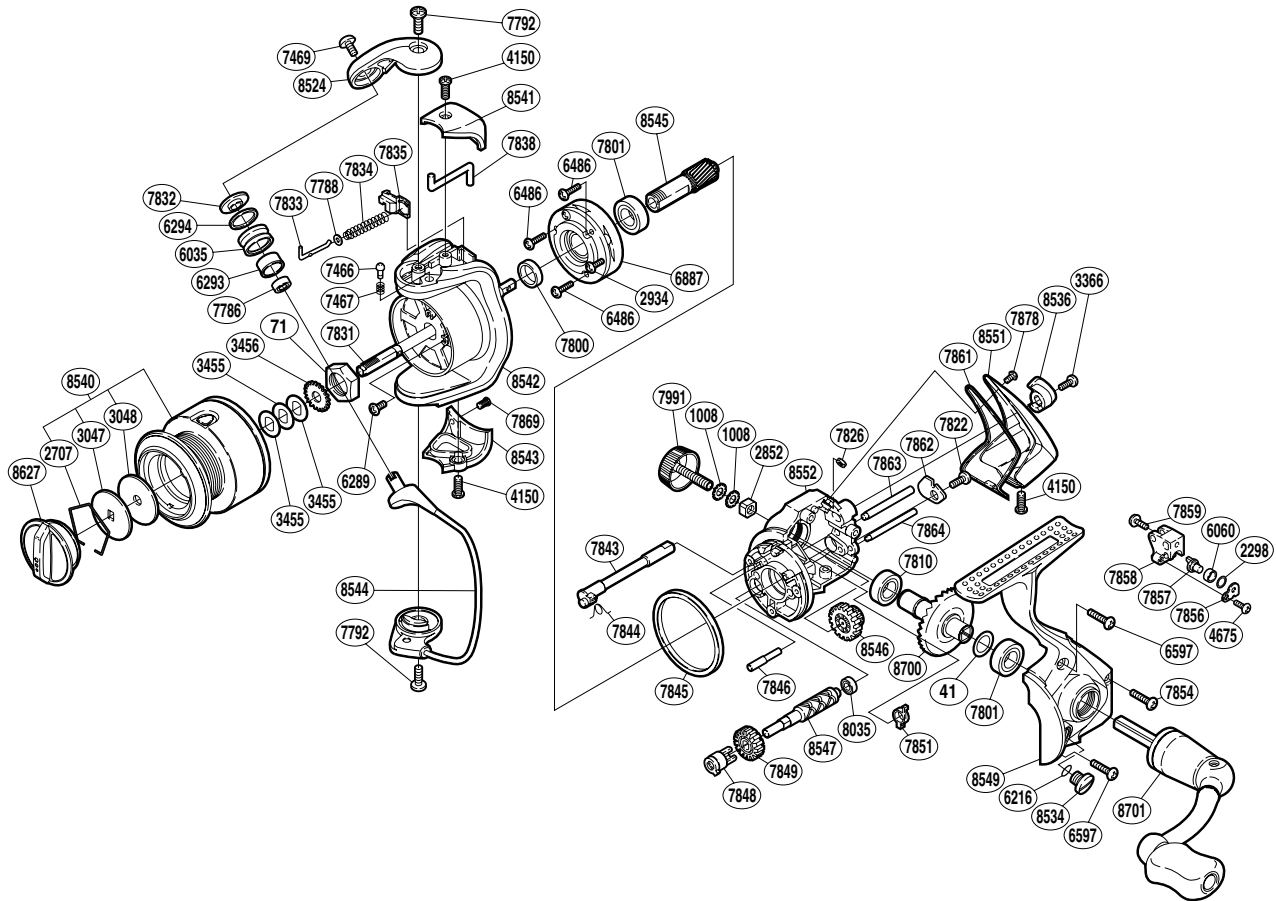


# SHIMANO®

## TWIN POWER

## TP-1000FA



Part No.	Description	Part No.	Description	Part No.	Description
RD 0041	Drive Gear Washer	RD 7786	Line Roller Bearing	RD 7861	Rear Shield
RD 0071	Rotor Nut	RD 7788	Spring Guide (A) Support	RD 7862	Worm Shaft Retainer
RD 1008	Handle Lock Washer	RD 7792	Multi-Purpose Screw	RD 7863	Oscillating Guide (A)
RD 2298	Spacer	RD 7800	Rotor Ring	RD 7864	Oscillating Guide (B)
RD 2707	Drag Washers Retainer	RD 7801	Ball Bearing	RD 7869	Protector Screw (B)
RD 2852	Handle Screw Lock	RD 7810	Ball Bearing	RD 7878	Rear Protector Screw (B)
RD 2934	Clutch Cover Screw	RD 7822	Worm Shaft Retainer Screw	RD 7991	Handle Screw Cap
RD 3047	Key Washer	RD 7826	Rear Protector Nut	RD 8035	Ball Bearing
RD 3048	Drag Washer	RD 7831	Main Shaft	RD 8524	Bail Arm
RD 3366	Anti-Reverse Lever Screw	RD 7832	Line Roller Washer	RD 8534	Oil Cap
RD 3455	Spool Washer	RD 7833	Bail Spring Guide (A)	RD 8536	Anti-Reverse Lever
RD 3456	Spool Support	RD 7834	Bail Spring	RD 8540	Spool Assembly
RD 4150	Multi-Purpose Screw	RD 7835	Bail Spring Seat	RD 8541	Bail Spring Cover
RD 4675	Oscillating Pawl Cover Screw	RD 7838	Bail Trip Lever	RD 8542	Rotor
RD 6035	Line Roller	RD 7843	Anti-Reverse Cam	RD 8543	Bail Hold Support Guard
RD 6060	Oscillating Slider Bushing	RD 7844	Anti-Reverse Cam Spring	RD 8544	Bail Assembly
RD 6216	"O" Ring	RD 7845	Friction Ring	RD 8545	Pinion Gear
RD 6289	Nut Lock Screw	RD 7846	Idle Gear (B) Shaft	RD 8546	Idle Gear (B)
RD 6293	Line Roller Bushing	RD 7848	Worm Bushing (front)	RD 8547	Worm Shaft
RD 6294	Line Roller Spacer	RD 7849	Idle Gear	RD 8549	Side Cover
RD 6486	Roller Clutch Screw	RD 7851	Bushing	RD 8551	Rear Protector
RD 6597	Side Cover Screw (B)	RD 7854	Side Cover Screw (C)	RD 8552	Body
RD 6887	Roller Clutch Assembly	RD 7856	Oscillating Pawl Cover	RD 8627	Drag Knob
RD 7466	Click Pin	RD 7857	Oscillating Pawl	RD 8700	Drive Gear
RD 7467	Click Spring	RD 7858	Oscillating Slider	RD 8701	Handle Assembly
RD 7469	Line Roller Screw	RD 7859	Slider Retainer Screw		