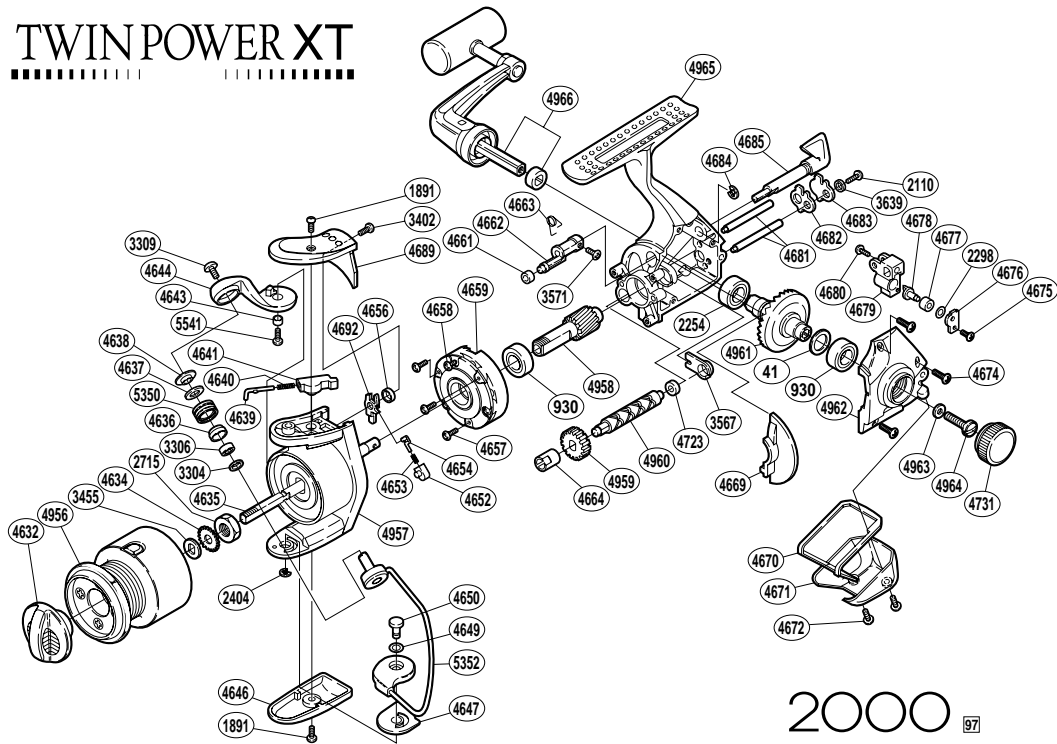


TWIN POWER XT



RD No.	PARTS NAMES	RD No.	PARTS NAMES	RD No.	PARTS NAMES
0041	Drive Gear Washer	4644	Bail Arm	4680	Slider Retainer Screw
0930	Ball Bearing	4646	Bail Hold Support Guard	4681	Oscillating Guide
1891	Cover Screw (large)	4647	Bail Hold Support Spacer	4682	Worm Shaft Retainer Washer
2110	Worm Shaft Retainer Screw	4649	Spacer	4683	Worm Shaft Retainer
2254	Ball Bearing	4650	Bail Hold Support Shaft	4684	"E" Lock
2298	Spacer	4652	Lever Spring Guide (B)	4685	Anti-Reverse Lever
2404	"E" Lock	4653	Lever Spring	4689	Bail Spring Cover
2715	Rotor Nut	4654	Lever Spring Guide (A)	4692	Bail Trip Lever
3304	Bearing Spacer	4656	Trip Lever Spacer	4723	Worm Bushing (rear)
3306	Line Roller Bearing	4657	Roller Clutch Screw	4731	Handle Screw Cap
3309	Line Roller Screw	4658	Clutch Cover Screw	4956	Spool Assembly
3402	Bail Spring Cover Screw (small)	4659	Roller Clutch Assembly	4957	Rotor
3455	Spool Washer	4661	Anti-Reverse Cam Ring	4958	Pinion Gear
3567	Bushing	4662	Anti-Reverse Cam	4959	Idle Gear
3571	Anti-Reverse Cam Screw	4663	Anti-Reverse Cam Spring	4960	Worm Shaft
3639	Worm Shaft Retainer Spacer	4664	Worm Bushing	4961	Drive Gear
4632	Drag Knob	4669	Side Cover Flange	4962	Side Cover
4634	Spool Support	4670	Rear Shield	4963	Handle Lock Washer
4635	Main Shaft	4671	Rear Protector	4964	Handle Lock Screw
4636	Line Roller Bushing	4672	Rear Protector Screw	4965	Body
4637	Line Roller Spacer	4674	Side Cover Screw	4966	Handle Assembly
4638	Line Roller Washer	4675	Oscillating Pawl Cover Screw	5350	Line Roller
4639	Bail Spring Guide (A)	4676	Oscillating Pawl Cover	5352	Bail Assembly
4640	Bail Spring	4677	Oscillating Slider Bushing	5541	Bail Arm Screw
4641	Bail Spring Guide (B)	4678	Oscillating Pawl		
4643	Bail Arm Bushing	4679	Oscillating Slider		

2000 97

(080913)