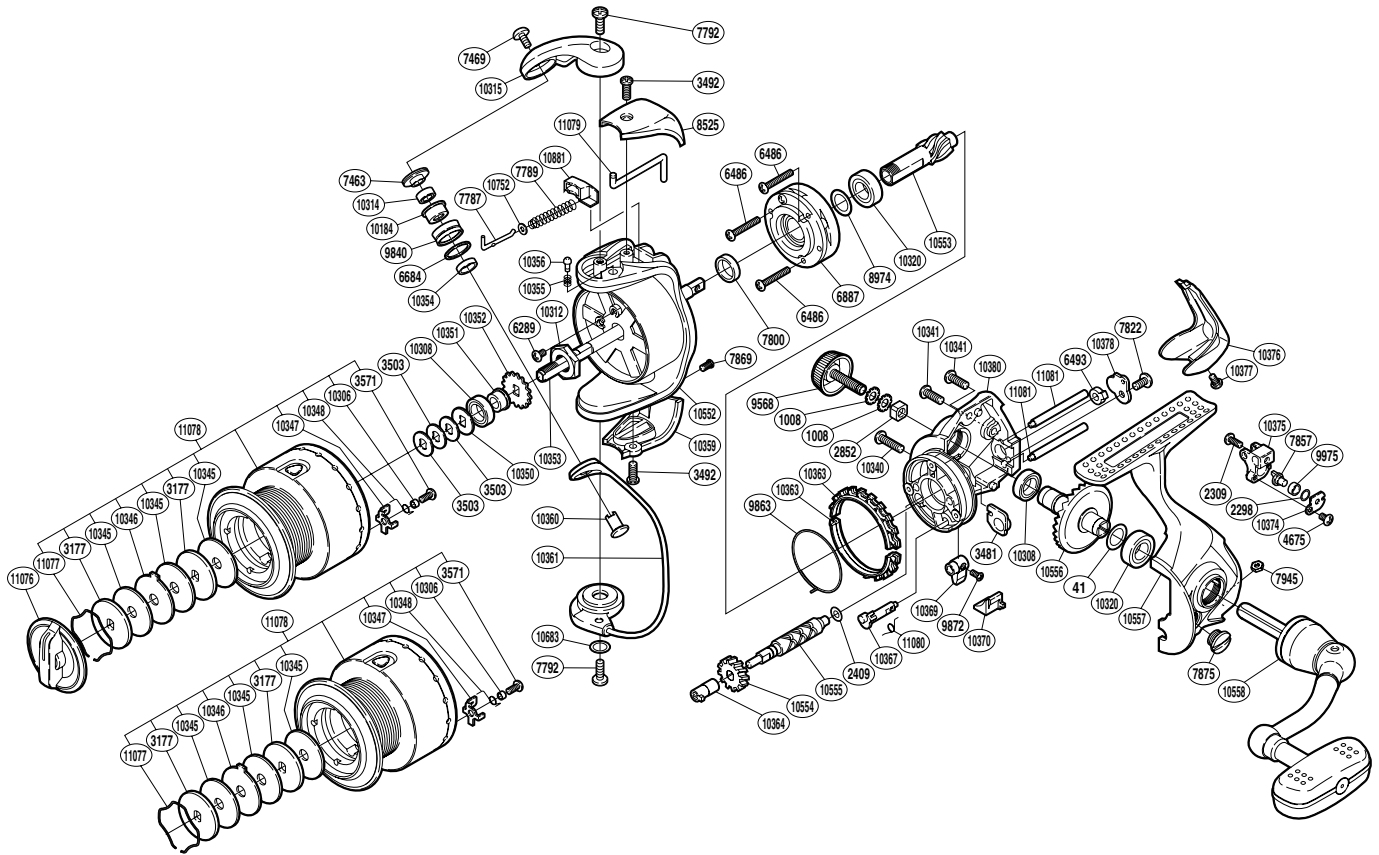


SHIMANO

TWIN POWER SA-RB

TP-2500FB



(1SG382503G)

Part No.	Description	Part No.	Description	Part No.	Description
RD 0041	Washer	RD 8974	Washer	RD10363	Friction Ring
RD 1008	Handle Lock Washer	RD 9568	Handle Screw Cap	RD10364	Worm Bushing (front)
RD 2298	Spacer	RD 9840	Line Roller	RD10367	Anti-Reverse Cam
RD 2309	Screw	RD 9863	Friction Spring	RD10369	Anti-Reverse Lever
RD 2409	Spacer	RD 9872	Screw	RD10370	Anti-Reverse Lever Cover
RD 2852	Handle Screw Lock	RD 9975	Oscillating Slider Bushing	RD10374	Oscillating Pawl Cover
RD 3177	Key Washer	RD10184	Line Roller Bushing	RD10375	Oscillating Slider
RD 3481	Bushing	RD10306	Drag Click Collar	RD10376	Rear Protector
RD 3492	Screw	RD10308	Ball Bearing	RD10377	Screw
RD 3503	Spool Washer	RD10312	Rotor Nut	RD10378	Worm Shaft Retainer
RD 3571	Screw	RD10314	Ball Bearing	RD10380	Body
RD 4675	Screw	RD10315	Bail Arm	RD10552	Rotor
RD 6289	Screw	RD10320	Ball Bearing	RD10553	Pinion Gear
RD 6486	Screw	RD10340	Screw	RD10554	Idle Gear
RD 6493	Worm Bushing (rear)	RD10341	Screw	RD10555	Worm Shaft
RD 6684	Line Roller Spacer	RD10345	Drag Washer	RD10556	Drive Gear
RD 6887	Roller Clutch Assembly	RD10346	Eared Washer	RD10557	Side Cover
RD 7463	Line Roller Washer	RD10347	Drag Click	RD10558	Handle Assembly
RD 7469	Screw	RD10348	Click Spring	RD10683	Washer
RD 7787	Bail Spring Guide A	RD10350	Spool Support B	RD10752	Spring Guide A Support
RD 7789	Bail Spring	RD10351	Bearing Bushing	RD10881	Bail Spring Seat
RD 7792	Screw	RD10352	Spool Support	RD11076	Drag Knob
RD 7800	Rotor Ring	RD10353	Main Shaft	RD11077	Drag Washers Retainer
RD 7822	Screw	RD10354	Bearing Spacer	RD11078	Spool Assembly
RD 7857	Oscillating Pawl	RD10355	Click Spring	RD11079	Bail Trip Lever
RD 7869	Screw	RD10356	Click Pin	RD11080	Anti-Reverse Cam Spring
RD 7875	Oil Cap	RD10359	Bail Hold Support Guard	RD11081	Oscillating Guide
RD 7945	Nut	RD10360	Line Roller Support		
RD 8525	Bail Spring Cover	RD10361	Bail Assembly		

(190115)