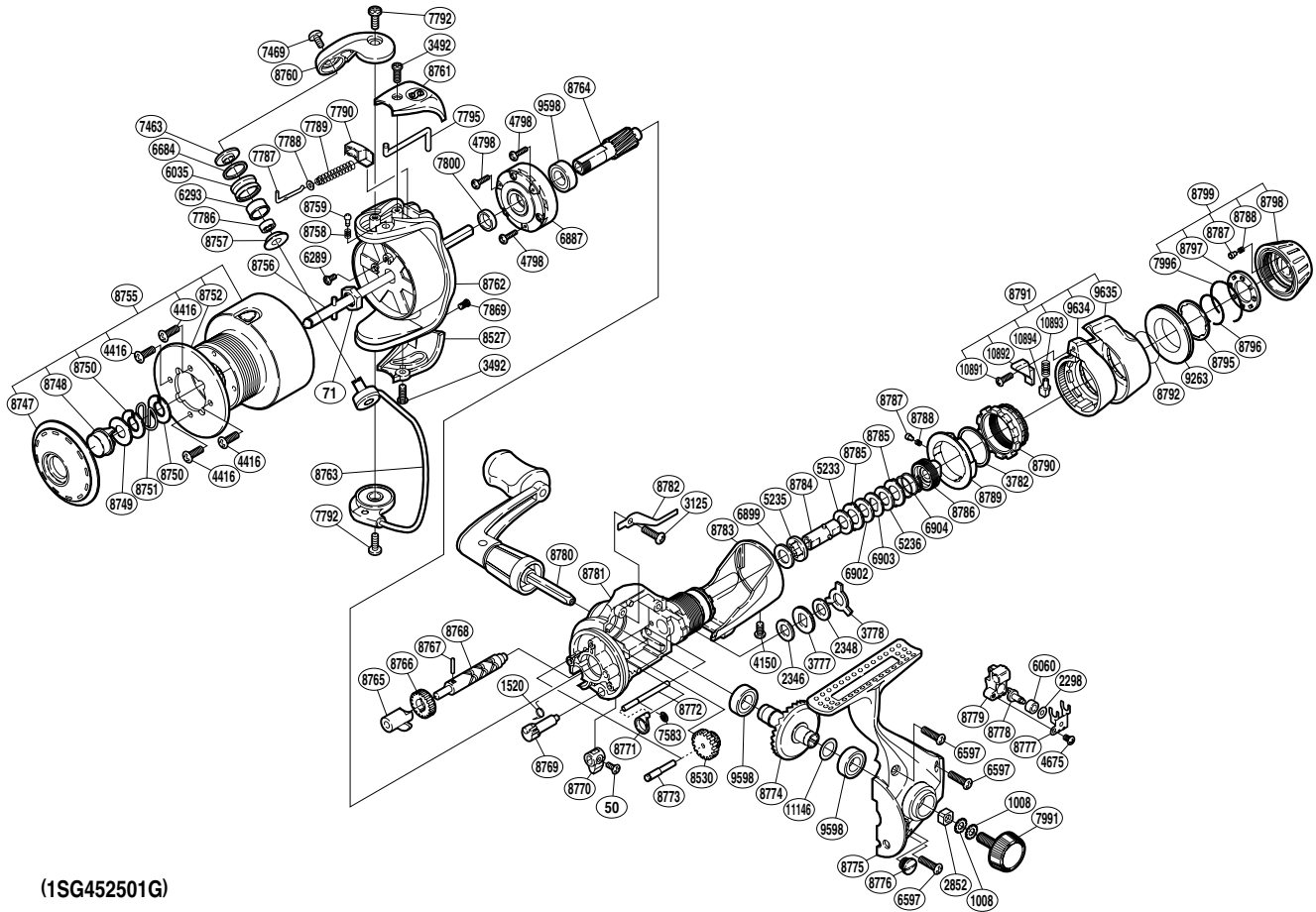


SHIMANO

TWIN POWER A-RB

TP-2500XTRA



(1SG452501G)

Part No.	Description	Part No.	Description	Part No.	Description
RD 0050	Anti-Reverse Lever Screw	RD 7787	Bail Spring Guide (A)	RD 8772	Oscillating Guide
RD 0071	Rotor Nut	RD 7788	Spring Guide (A) Support	RD 8773	Idle Gear (B) Shaft
RD 1008	Handle Lock Washer	RD 7789	Bail Spring	RD 8774	Drive Gear
RD 1520	Anti-Reverse Cam Spring	RD 7790	Bail Spring Seat	RD 8775	Side Cover
RD 2298	Spacer	RD 7792	Multi-Purpose Screw	RD 8776	Oil Cap
RD 2346	Drag Washer "C" (cloth)	RD 7795	Bail Trip Lever	RD 8777	Oscillating Slider Retainer
RD 2348	Drag Washer "C" (blue)	RD 7800	Rotor Ring	RD 8778	Oscillating Pawl
RD 2852	Handle Screw Lock	RD 7869	Protector Screw (B)	RD 8779	Oscillating Slider
RD 3125	Drag Click Screw	RD 7991	Handle Screw Cap	RD 8780	Handle Assembly
RD 3492	Protector Screw (A)	RD 7996	Click Plate Retainer	RD 8781	Body
RD 3777	Click Gear	RD 8527	Bail Hold Support Guard	RD 8782	Drag Click
RD 3778	Eared Washer "Bf"	RD 8530	Idle Gear (B)	RD 8783	Rear Protector
RD 3782	Fightin' Pressure Screw Washer	RD 8747	Push Button Collar	RD 8784	Drag Shaft (A)
RD 4150	Rear Protector Screw	RD 8748	Push Button	RD 8785	Eared Washer "B"
RD 4416	Spool Insert Screw	RD 8749	Small Hole Washer	RD 8786	Pressure Screw
RD 4675	Slider Retainer Screw	RD 8750	Large Hole Washer	RD 8787	Click Pin (B)
RD 4798	Roller Clutch Screw	RD 8751	Locking Spring	RD 8788	Click Spring (B)
RD 5233	Drag Washer "H" (cloth)	RD 8752	Spool Ring	RD 8789	Lever Click Gear
RD 5235	Drag Shaft (B)	RD 8755	Spool Assembly	RD 8790	Fightin' Pressure Screw
RD 5236	Drag Washer "H" (white plastic)	RD 8756	Main Shaft	RD 8791	Fightin' Lever Assembly
RD 6035	Line Roller	RD 8757	Bearing Spacer	RD 8792	Drag Knob Friction Ring
RD 6060	Oscillating Slider Bushing	RD 8758	Click Spring (A)	RD 8795	Drag Knob Washer
RD 6289	Nut Lock Screw	RD 8759	Click Pin (A)	RD 8796	Drag Knob Retainer
RD 6293	Line Roller Bushing	RD 8760	Bail Arm	RD 8797	Click Plate
RD 6597	Side Cover Screw	RD 8761	Bail Spring Cover	RD 8798	Drag Programmer (A)
RD 6684	Line Roller Spacer	RD 8762	Rotor	RD 8799	Drag Programmer Assembly
RD 6887	Roller Clutch Assembly	RD 8763	Bail Assembly	RD 9263	Drag Programmer (B)
RD 6899	Drag Washer "C" (cloth)	RD 8764	Pinion Gear	RD 9598	Ball Bearing
RD 6902	Drag Washer "F" (white plastic)	RD 8765	Worm Bushing (front)	RD 9634	Fightin' Lever Inner (A)
RD 6903	Key Washer "A"	RD 8766	Idle Gear	RD 9635	Fightin' Lever Outer
RD 6904	Drag Coil Spring	RD 8767	Worm Shaft Pin	RD10891	Screw
RD 7463	Line Roller Washer	RD 8768	Worm Shaft	RD10892	Fightin' Lever Inner (B)
RD 7469	Line Roller Screw	RD 8769	Anti-Reverse Cam	RD10893	Position Pin Spring
RD 7583	"E" Lock	RD 8770	Anti-Reverse Lever	RD10894	Lever Position Pin
RD 7786	Ball Bearing	RD 8771	Oscillating Guide Retainer	RD11146	Washer

(181220)