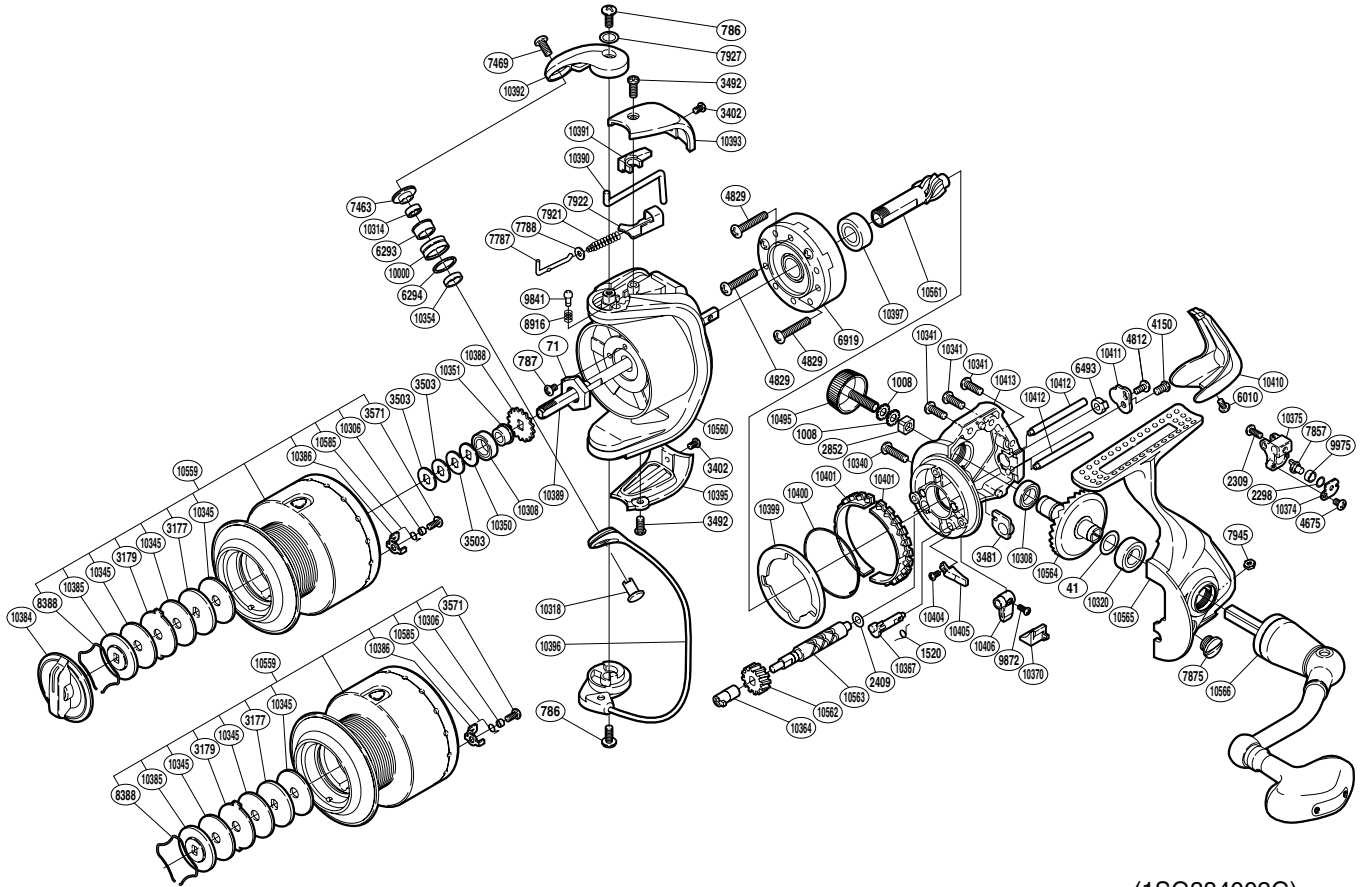


SHIMANO®

TWIN POWER A-RB

TP-4000FB



(1SG384002G)

| Part No. | Description | Part No. | Description | Part No. | Description |
|----------|-------------------------|----------|----------------------------|----------|-------------------------|
| RD 0041 | Washer | RD 7857 | Oscillating Pawl | RD10386 | Drag Click |
| RD 0071 | Rotor Nut | RD 7875 | Oil Cap | RD10388 | Spool Support |
| RD 0786 | Screw | RD 7921 | Bail Spring | RD10389 | Main Shaft |
| RD 0787 | Screw | RD 7922 | Bail Spring Seat | RD10390 | Bail Trip Lever |
| RD 1008 | Handle Lock Washer | RD 7927 | Washer | RD10391 | Bail Trip Cover |
| RD 1520 | Anti-Reverse Cam Spring | RD 7945 | Nut | RD10392 | Bail Arm |
| RD 2298 | Spacer | RD 8388 | Drag Washers Retainer | RD10393 | Bail Spring Cover |
| RD 2309 | Screw | RD 8916 | Click Spring | RD10395 | Bail Hold Support Guard |
| RD 2409 | Spacer | RD 9841 | Click Pin | RD10396 | Bail Assembly |
| RD 2852 | Handle Screw Lock | RD 9872 | Screw | RD10397 | Ball Bearing |
| RD 3177 | Key Washer | RD 9975 | Oscillating Slider Bushing | RD10399 | Friction Ring Collar |
| RD 3179 | Eared Washer | RD10000 | Line Roller | RD10400 | Friction Spring |
| RD 3402 | Screw | RD10306 | Drag Click Collar | RD10401 | Friction Ring |
| RD 3481 | Bushing | RD10308 | Ball Bearing | RD10404 | Screw |
| RD 3492 | Screw | RD10314 | Ball Bearing | RD10405 | Bail Trip Strike |
| RD 3503 | Spool Washer | RD10318 | Line Roller Support | RD10406 | Anti-Reverse Lever |
| RD 3571 | Screw | RD10320 | Ball Bearing | RD10410 | Rear Protector |
| RD 4150 | Screw | RD10340 | Screw | RD10411 | Worm Shaft Retainer |
| RD 4675 | Screw | RD10341 | Screw | RD10412 | Oscillating Guide |
| RD 4812 | Screw | RD10345 | Drag Washer | RD10413 | Body |
| RD 4829 | Screw | RD10350 | Spool Support B | RD10495 | Handle Screw Cap |
| RD 6010 | Screw | RD10351 | Bearing Bushing | RD10559 | Spool Assembly |
| RD 6293 | Line Roller Bushing | RD10354 | Bearing Spacer | RD10560 | Rotor |
| RD 6294 | Line Roller Spacer | RD10364 | Worm Bushing (front) | RD10561 | Pinion Gear |
| RD 6493 | Worm Bushing (rear) | RD10367 | Anti-Reverse Cam | RD10562 | Idle Gear |
| RD 6919 | Roller Clutch Assembly | RD10370 | Anti-Reverse Lever Cover | RD10563 | Worm Shaft |
| RD 7463 | Line Roller Washer | RD10374 | Oscillating Pawl Cover | RD10564 | Drive Gear |
| RD 7469 | Screw | RD10375 | Oscillating Slider | RD10565 | Side Cover |
| RD 7787 | Bail Spring Guide A | RD10384 | Drag Knob | RD10566 | Handle Assembly |
| RD 7788 | Spring Guide A Support | RD10385 | Key Washer | RD10585 | Click Spring |

(170711)