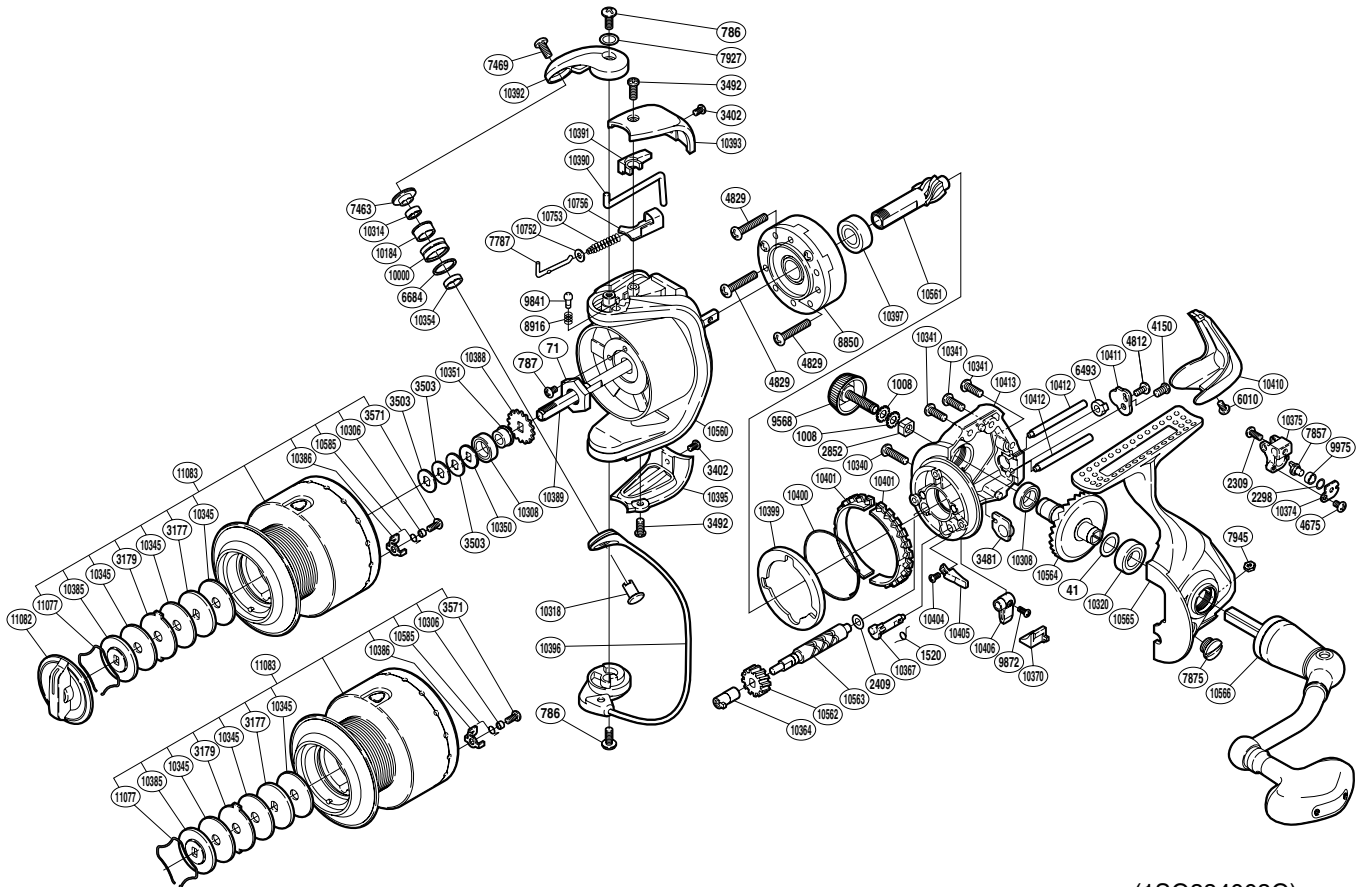


SHIMANO

TWIN POWER SA-RB

TP-4000FB



(1SG384003G)

Part No.	Description	Part No.	Description	Part No.	Description
RD 0041	Washer	RD 7945	Nut	RD10391	Bail Trip Cover
RD 0071	Rotor Nut	RD 8850	Roller Clutch Assembly	RD10392	Bail Arm
RD 0786	Screw	RD 8916	Click Spring	RD10393	Bail Spring Cover
RD 0787	Screw	RD 9568	Handle Screw Cap	RD10395	Bail Hold Support Guard
RD 1008	Handle Lock Washer	RD 9841	Click Pin	RD10396	Bail Assembly
RD 1520	Anti-Reverse Cam Spring	RD 9872	Screw	RD10397	Ball Bearing
RD 2298	Spacer	RD 9975	Oscillating Slider Bushing	RD10399	Friction Ring Collar
RD 2309	Screw	RD10000	Line Roller	RD10400	Friction Spring
RD 2409	Spacer	RD10184	Line Roller Bushing	RD10401	Friction Ring
RD 2852	Handle Screw Lock	RD10306	Drag Click Collar	RD10404	Screw
RD 3177	Key Washer	RD10308	Ball Bearing	RD10405	Bail Trip Strike
RD 3179	Eared Washer	RD10314	Ball Bearing	RD10406	Anti-Reverse Lever
RD 3402	Screw	RD10318	Line Roller Support	RD10410	Rear Protector
RD 3481	Bushing	RD10320	Ball Bearing	RD10411	Worm Shaft Retainer
RD 3492	Screw	RD10340	Screw	RD10412	Oscillating Guide
RD 3503	Spool Washer	RD10341	Screw	RD10413	Body
RD 3571	Screw	RD10345	Drag Washer	RD10560	Rotor
RD 4150	Screw	RD10350	Spool Support B	RD10561	Pinion Gear
RD 4675	Screw	RD10351	Bearing Bushing	RD10562	Idle Gear
RD 4812	Screw	RD10354	Bearing Spacer	RD10563	Worm Shaft
RD 4829	Screw	RD10364	Worm Bushing (front)	RD10564	Drive Gear
RD 6010	Screw	RD10367	Anti-Reverse Cam	RD10565	Side Cover
RD 6493	Worm Bushing (rear)	RD10370	Anti-Reverse Lever Cover	RD10566	Handle Assembly
RD 6684	Line Roller Spacer	RD10374	Oscillating Pawl Cover	RD10585	Click Spring
RD 7463	Line Roller Washer	RD10375	Oscillating Slider	RD10752	Spring Guide A Support
RD 7469	Screw	RD10385	Key Washer	RD10753	Bail Spring
RD 7787	Bail Spring Guide A	RD10386	Drag Click	RD10756	Bail Spring Seat
RD 7857	Oscillating Pawl	RD10388	Spool Support	RD11077	Drag Washers Retainer
RD 7875	Oil Cap	RD10389	Main Shaft	RD11082	Drag Knob
RD 7927	Washer	RD10390	Bail Trip Lever	RD11083	Spool Assembly

(190115)