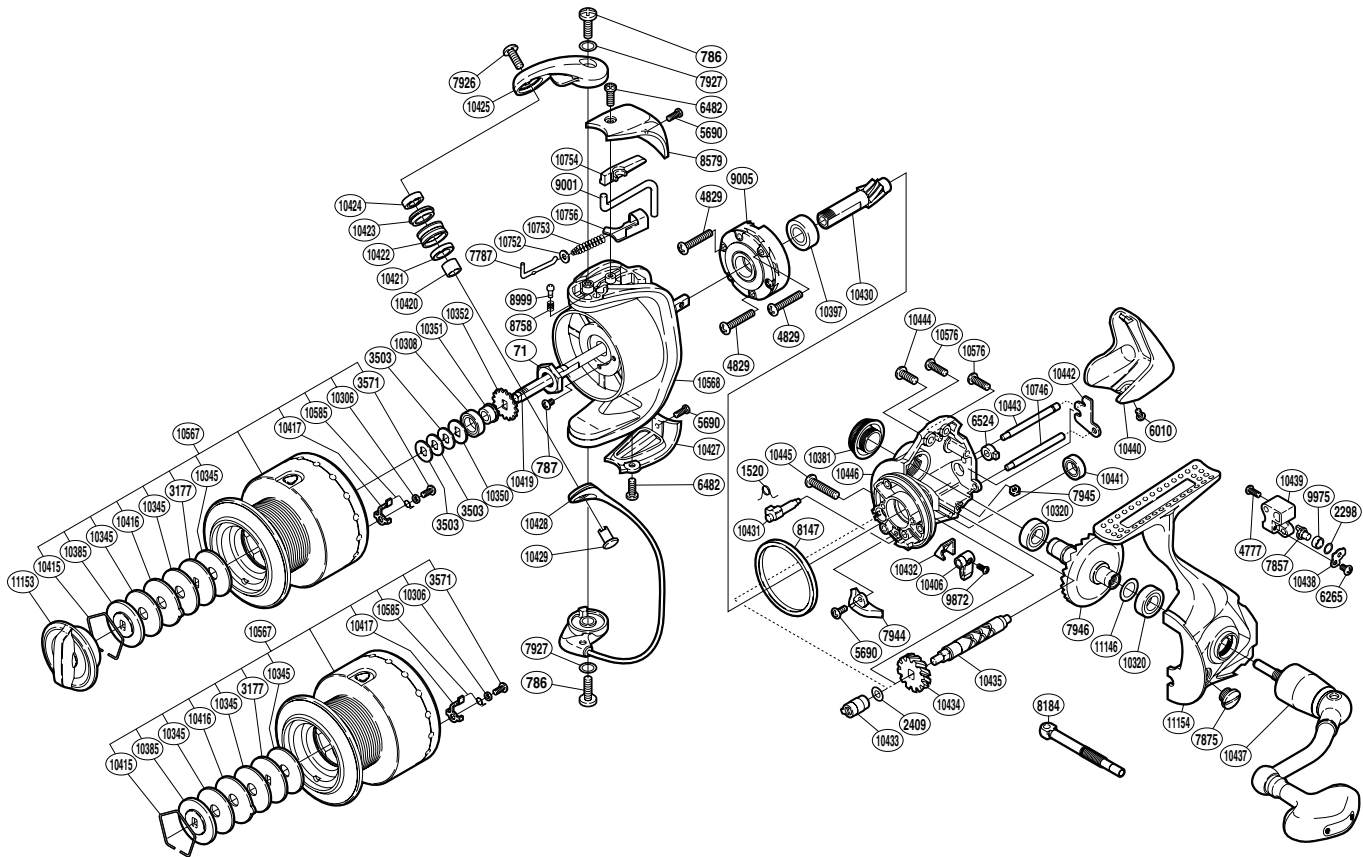


SHIMANO

TWIN POWER SA-RB

TP-5000FB



(1SG385003G)

Part No.	Description	Part No.	Description	Part No.	Description
RD 0071	Rotor Nut	RD 9005	Roller Clutch Assembly	RD10432	Anti-Reverse Lever Cover
RD 0786	Screw	RD 9872	Screw	RD10433	Worm Bushing (front)
RD 0787	Screw	RD 9975	Oscillating Slider Bushing	RD10434	Idle Gear
RD 1520	Anti-Reverse Cam Spring	RD10306	Drag Click Collar	RD10435	Worm Shaft
RD 2298	Spacer	RD10308	Ball Bearing	RD10437	Handle Assembly
RD 2409	Spacer	RD10320	Ball Bearing	RD10438	Oscillating Pawl Cover
RD 3177	Key Washer	RD10345	Drag Washer	RD10439	Oscillating Slider
RD 3503	Spool Washer	RD10350	Spool Support B	RD10440	Rear Protector
RD 3571	Screw	RD10351	Bearing Bushing	RD10441	Ball Bearing
RD 4777	Screw	RD10352	Spool Support	RD10442	Worm Shaft Retainer
RD 4829	Screw	RD10381	Handle Screw Cap	RD10443	Oscillating Guide
RD 5690	Screw	RD10385	Key Washer	RD10444	Screw
RD 6010	Screw	RD10397	Ball Bearing	RD10445	Screw
RD 6265	Screw	RD10406	Anti-Reverse Lever	RD10446	Body
RD 6482	Screw	RD10415	Drag Washers Retainer	RD10567	Spool Assembly
RD 6524	Worm Bushing (rear)	RD10416	Eared Washer	RD10568	Rotor
RD 7787	Bail Spring Guide A	RD10417	Drag Click	RD10576	Screw
RD 7857	Oscillating Pawl	RD10419	Main Shaft	RD10585	Click Spring
RD 7875	Oil Cap	RD10420	Bearing Spacer	RD10746	Oscillating Guide B
RD 7926	Screw	RD10421	Line Roller Collar	RD10752	Spring Guide A Support
RD 7927	Washer	RD10422	Line Roller	RD10753	Bail Spring
RD 7944	Bail Trip Strike	RD10423	Line Roller Bushing	RD10754	Bail Trip Cover
RD 7945	Nut	RD10424	Ball Bearing	RD10756	Bail Spring Seat
RD 7946	Drive Gear	RD10425	Bail Arm	RD11146	Washer
RD 8147	Friction Ring	RD10427	Bail Hold Support Guard	RD11153	Drag Knob
RD 8579	Bail Spring Cover	RD10428	Bail Assembly	RD11154	Side Cover
RD 8758	Click Spring	RD10429	Line Roller Support		
RD 8999	Click Pin	RD10430	Pinion Gear		
RD 9001	Bail Trip Lever	RD10431	Anti-Reverse Cam	RD 8184	Handle Shaft (right)