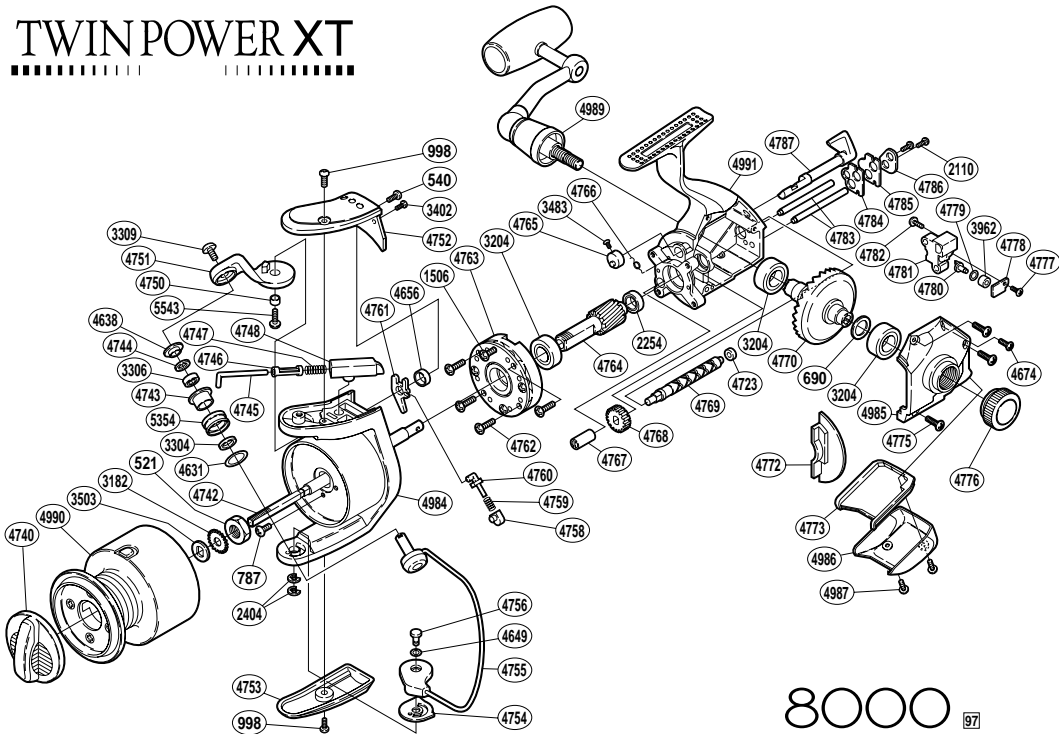


TWIN POWER XT



RD No.	PARTS NAMES	RD No.	PARTS NAMES	RD No.	PARTS NAMES
0521	Rotor Nut	4743	Line Roller Bushing	4772	Side Cover Flange
0540	Bail Spring Cover Screw (large)	4744	Roller Bearing Seal	4773	Rear Shield
0690	Drive Gear Washer	4745	Bail Spring Guide (A)	4775	Side Cover Screw (large)
0787	Nut Lock Screw	4746	Spring Guide (A) Support	4776	Handle Screw Cap
0998	Cover Screw (long)	4747	Bail Spring	4777	Oscillating Pawl Cover Screw
1506	Clutch Cover Screw	4748	Bail Spring Guide (B)	4778	Oscillating Pawl Cover
2110	Worm Shaft Retainer Screw	4750	Bail Arm Bushing	4779	Oscillating Slider Bushing
2254	Ball Bearing	4751	Bail Arm	4780	Oscillating Pawl
2404	"E" Lock	4752	Bail Spring Cover	4781	Oscillating Slider
3182	Spool Support	4753	Bail Hold Support Guard	4782	Slider Retainer Screw
3204	Ball Bearing	4754	Bail Hold Support Spacer	4783	Oscillating Guide
3304	Bearing Spacer	4755	Bail Assembly	4784	Worm Shaft Retainer Washer
3306	Line Roller Bearing	4756	Bail Hold Support Shaft	4785	Worm Shaft Retainer
3309	Line Roller Screw	4758	Lever Spring Guide (B)	4786	Worm Shaft Retainer Spacer
3402	Bail Spring Cover Screw (small)	4759	Lever Spring	4787	Anti-Reverse Lever
3483	Anti-Reverse Cam Screw	4760	Lever Spring Guide (A)	4984	Rotor
3503	Spool Washer	4761	Bail Trip Lever	4985	Side Cover
3962	Spacer	4762	Roller Clutch Screw	4986	Rear Protector
4631	Spacer	4763	Roller Clutch Assembly	4987	Rear Protector Screw
4638	Line Roller Washer	4764	Pinion Gear	4989	Handle Assembly
4649	Spacer	4765	Anti-Reverse Cam	4990	Spool Assembly
4656	Trip Lever Spacer	4766	Anti-Reverse Cam Spring	4991	Body
4674	Side Cover Screw (small)	4767	Worm Bushing (front)	5354	Line Roller
4723	Worm Bushing (rear)	4768	Idle Gear	5543	Bail Arm Screw
4740	Drag Knob	4769	Worm Shaft		
4742	Main Shaft	4770	Drive Gear		

8000 97

(080913)