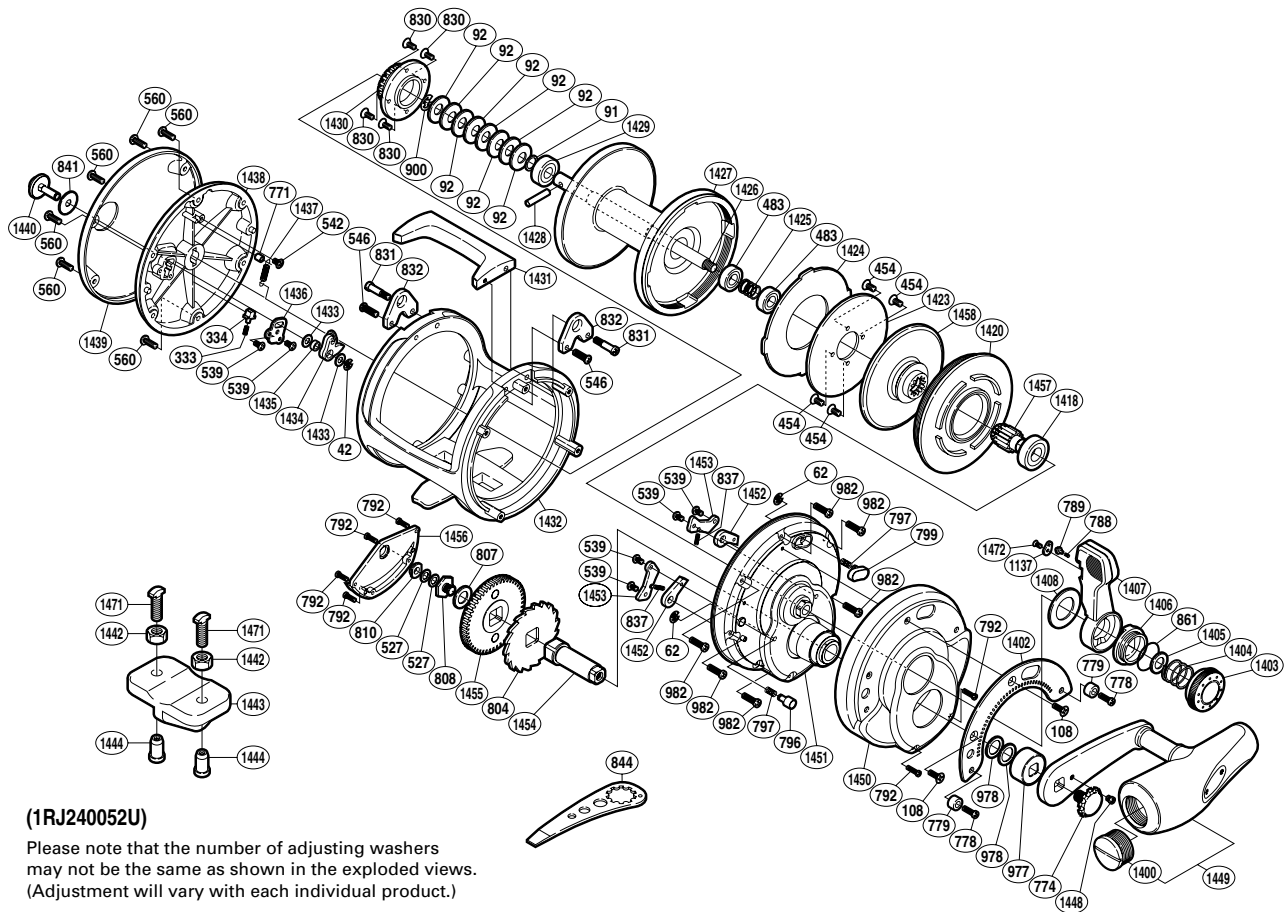


SHIMANO

TYRNOS A-RB

TYR-50LRS



(1RJ240052U)

Please note that the number of adjusting washers may not be the same as shown in the exploded views. (Adjustment will vary with each individual product.)

Part No.	Description	Part No.	Description	Part No.	Description
TGT0042	E Lock	TGT0831	Harness Lug Screw	TGT1432	One-Piece Frame
TGT0062	E Lock	TGT0832	Harness Lug	TGT1433	Spacer
TGT0091	Bearing Thrust Washer	TGT0837	Anti-Reverse Pawl Spring	TGT1434	Click Pawl
TGT0092	Coned Disc Spring	TGT0841	Click Button Spacer	TGT1435	Click Pawl Bushing
TGT0108	Screw	TGT0861	O Ring	TGT1436	Click Spring Retainer
TGT0333	Click Spring	TGT0900	E Lock	TGT1437	Click Pawl Spring
TGT0334	Click Spring Holder	TGT0977	Drive Shaft Shield	TGT1438	Left Side Plate
TGT0454	Screw	TGT0978	Washer	TGT1439	Left Side Plate Cover
TGT0483	Ball Bearing	TGT0982	Screw	TGT1440	Click Button
TGT0527	Spacer	TGT1137	Lever Click Cover	TGT1448	Screw
TGT0539	Screw	TGT1400	Handle Knob Bushing	TGT1449	Handle Assembly
TGT0542	Screw	TGT1402	Lever Quadrant	TGT1450	Right Side Plate Cover
TGT0546	Screw	TGT1403	Pre-Program Dial	TGT1451	Right Side Plate
TGT0560	Screw	TGT1404	Dial Spring	TGT1452	Anti-Reverse Pawl
TGT0771	Click Pawl Spring Boss Ring	TGT1405	Washer	TGT1453	Anti-Reverse Pawl Keeper
TGT0774	Handle Bolt	TGT1406	Lever Shaft Body	TGT1454	Drive Shaft
TGT0778	Screw	TGT1407	Drag Control Lever	TGT1455	Drive Gear
TGT0779	Screw Shield	TGT1408	Lever Thrust Washer	TGT1456	Right Side Seal
TGT0788	Lever Click Shoe	TGT1418	Ball Bearing	TGT1457	Pinion Gear
TGT0789	Lever Click	TGT1420	Cooling Shield	TGT1458	Pinion Guard
TGT0792	Screw	TGT1423	Drag Plate	TGT1472	Screw
TGT0796	Free Spool Detent	TGT1424	Drag Washer		
TGT0797	Pressure Spring	TGT1425	Pressure Release Spring		
TGT0799	Strike Stop	TGT1426	Main Shaft	TGT1442	Rod Clamp Nut B (accessory)
TGT0804	Anti-Reverse Ratchet	TGT1427	Spool	TGT1443	Rod Clamp (accessory)
TGT0807	Drive Gear Spacer	TGT1428	Cross Pin	TGT1444	Rod Clamp Nut A (accessory)
TGT0808	Drive Shaft Screw	TGT1429	Ball Bearing	TGT1471	Rod Clamp Bolt (accessory)
TGT0810	Drive Shaft Bushing	TGT1430	Click Gear		
TGT0830	Screw	TGT1431	Cross Bar	TGT0844	Wrench (accessory)