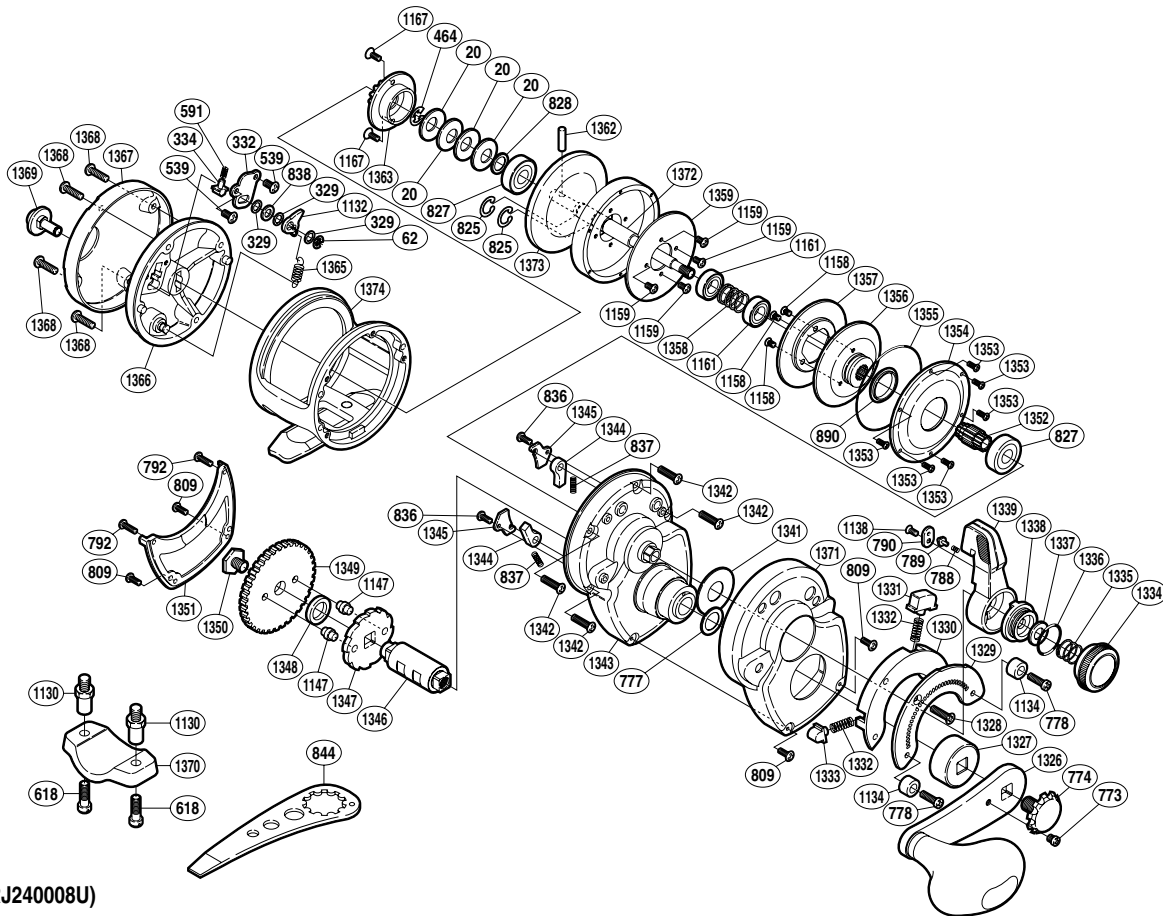


# SHIMANO

## TYRNOS A-RB

## TYR-8



(1RJ240008U)

Part No.	Description	Part No.	Description	Part No.	Description
TGT0020	Coned Disc Spring	TGT1158	Screw	TGT1351	Right Side Seal
TGT0062	E Lock	TGT1159	Screw	TGT1352	Pinion Gear
TGT0329	Spacer	TGT1161	Ball Bearing	TGT1353	Screw
TGT0332	Click Spring Retainer	TGT1167	Screw	TGT1354	Cooling Shield
TGT0334	Click Spring Holder	TGT1326	Handle	TGT1355	O Ring
TGT0464	E Lock	TGT1327	Drive Shaft Shield	TGT1356	Pinion Guard
TGT0539	Screw	TGT1328	Screw	TGT1357	Drag Plate
TGT0591	Click Spring	TGT1329	Lever Quadrant	TGT1358	Pressure Release Spring
TGT0773	Screw	TGT1330	Right Side Plate B	TGT1359	Drag Washer
TGT0774	Handle Bolt	TGT1331	Screw Shield	TGT1362	Cross Pin
TGT0777	Gear Shaft Thrust Washer	TGT1332	Pressure Spring	TGT1363	Click Gear
TGT0778	Screw	TGT1333	Free Spool Detent	TGT1365	Click Pawl Spring
TGT0788	Lever Click Shoe	TGT1334	Pre-Program Dial	TGT1366	Left Side Plate
TGT0789	Lever Click	TGT1335	Dial Spring	TGT1367	Left Side Plate Cover
TGT0790	Lever Click Cover	TGT1336	O Ring	TGT1368	Screw
TGT0792	Screw	TGT1337	Drag Cam Washer	TGT1369	Click Button
TGT0809	Screw	TGT1338	Lever Shaft Body	TGT1371	Right Side Plate Cover
TGT0825	C Lock	TGT1339	Drag Control Lever	TGT1372	Spool Shaft
TGT0827	Ball Bearing	TGT1341	Lever Thrust Washer	TGT1373	Spool
TGT0828	Bearing Thrust Washer	TGT1342	Screw	TGT1374	One-Piece Frame
TGT0836	Screw	TGT1343	Right Side Plate		
TGT0837	Anti-Reverse Pawl Spring	TGT1344	Anti-Reverse Pawl		
TGT0838	Spacer	TGT1345	Anti-Reverse Pawl Keeper		
TGT0890	Waterproof Ring	TGT1346	Drive Shaft	TGT0618	Rod Clamp Bolt (accessory)
TGT1132	Click Pawl	TGT1347	Anti-Reverse Ratchet	TGT1130	Rod Clamp Nut (accessory)
TGT1134	Screw Shield	TGT1348	Anti-Reverse Ratchet Spacer	TGT1370	Rod Clamp (accessory)
TGT1138	Screw	TGT1349	Drive Gear		
TGT1147	Anti-Reverse Ratchet Pin	TGT1350	Drive Shaft Screw	TGT0844	Wrench (accessory)

(200417)