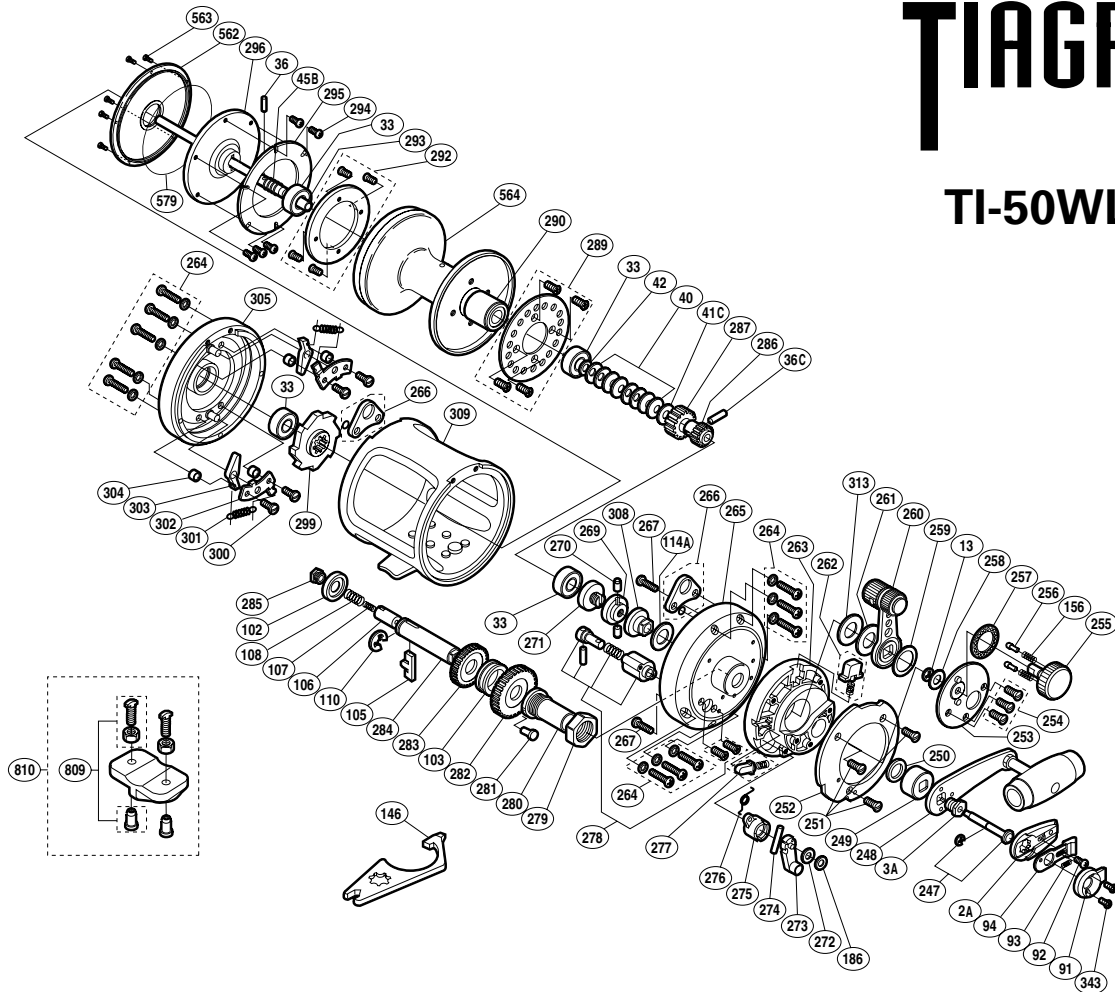


# SHIMANO

# TIAGRA 93

## TI-50WLRS



Part No.	Description	Part No.	Description	Part No.	Description
TT 0002A	Handle Bolt Plate	TT 0254	Cover Screws	TT 0286	Pinion Gear (A)
TT 0003A	Handle Bolt	TT 0255	Pre-Program Dial	TT 0287	Pinion Gear (B)
TT 0013	"C" Lock	TT 0256	Dial Click Shoe	TT 0289	Alert Ratchet
TT 0033	Ball Bearing	TT 0257	Dial Click	TT 0290	Piston Assembly
TT 0036	Cross Pin (A)	TT 0258	Dial Washer	TT 0292	Drag Plate
TT 0036C	Cross Pin (B)	TT 0259	Lever Thrust Ring (A)	TT 0293	Main Shaft
TT 0040	Pre-Load Spring	TT 0260	Drag Control Lever	TT 0294	Drag Washer Screws
TT 0041C	Pre-Load Washer	TT 0261	Lever Thrust Ring (B-1)	TT 0295	Drag Washer
TT 0042	Bearing Thrust Washer	TT 0262	Strike Stop	TT 0296	Pressure Plate
TT 0045B	Pressure Plate Spring	TT 0263	Right Side Plate (B)	TT 0299	Anti-Reverse Ratchet
TT 0091	Push Button Shield	TT 0264	Side Plate Screws	TT 0300	Set Plate Screw
TT 0092	Handle Bolt Plate Screw	TT 0265	Right Side Plate (A)	TT 0301	Dog Spring
TT 0093	Slide Plate Spring	TT 0266	Harness Lugs	TT 0302	Set Plate
TT 0094	Slide Plate	TT 0267	Right Side Plate (B) Screw	TT 0303	Dog
TT 0102	Friction Washer (A)	TT 0269	Pre-Program Key	TT 0304	Set Plate Support
TT 0103	Friction Washer (B)	TT 0270	Pre-Program Key Pin	TT 0305	Left Side Plate
TT 0105	Gear Select Cross Bar	TT 0271	Pre-Program Screw	TT 0308	Lever Shaft Body
TT 0106	Cross Bar Stop	TT 0272	Spacer (A)	TT 0309	One-Piece Frame
TT 0107	Drive Shaft Spring "B"	TT 0273	Strike Alert Lever	TT 0313	Lever Thrust Ring (B-2)
TT 0108	Drive Shaft Spring	TT 0274	Plunger Cross Pin (B)	TT 0343	Push Button Shield Screw
TT 0110	"E" Lock	TT 0275	Plunger Cross Pin Support	TT 0562	Cooling Shield
TT 0114A	Lever Shaft Body Washer	TT 0276	Cross Pin Support Spring	TT 0563	Cooling Shield Screw
TT 0156	Friction Shoe Spring	TT 0277	Free Spool Detent	TT 0564	Spool
TT 0186	Spacer (B)	TT 0278	Alert Plunger Assembly	TT 0579	"O" Ring (A)
TT 0247	Push "Low" Button Shaft	TT 0279	Holder Nut		
TT 0248	Handle Assembly	TT 0280	Drive Shaft Holder		
TT 0249	Drive Shaft Shield	TT 0281	Lock Pin		
TT 0250	Drive Shaft Washer	TT 0282	Drive Gear (A)	TT 0809	Rod Clamp Bolt/Nuts
TT 0251	Quadrant Anchor Bolts	TT 0283	Drive Gear (B)	TT 0810	Rod Clamp Assembly
TT 0252	Lever Quadrant	TT 0284	Drive Shaft		
TT 0253	Lever Hub Cover	TT 0285	Drive Shaft Screw	TT 0146	Wrench