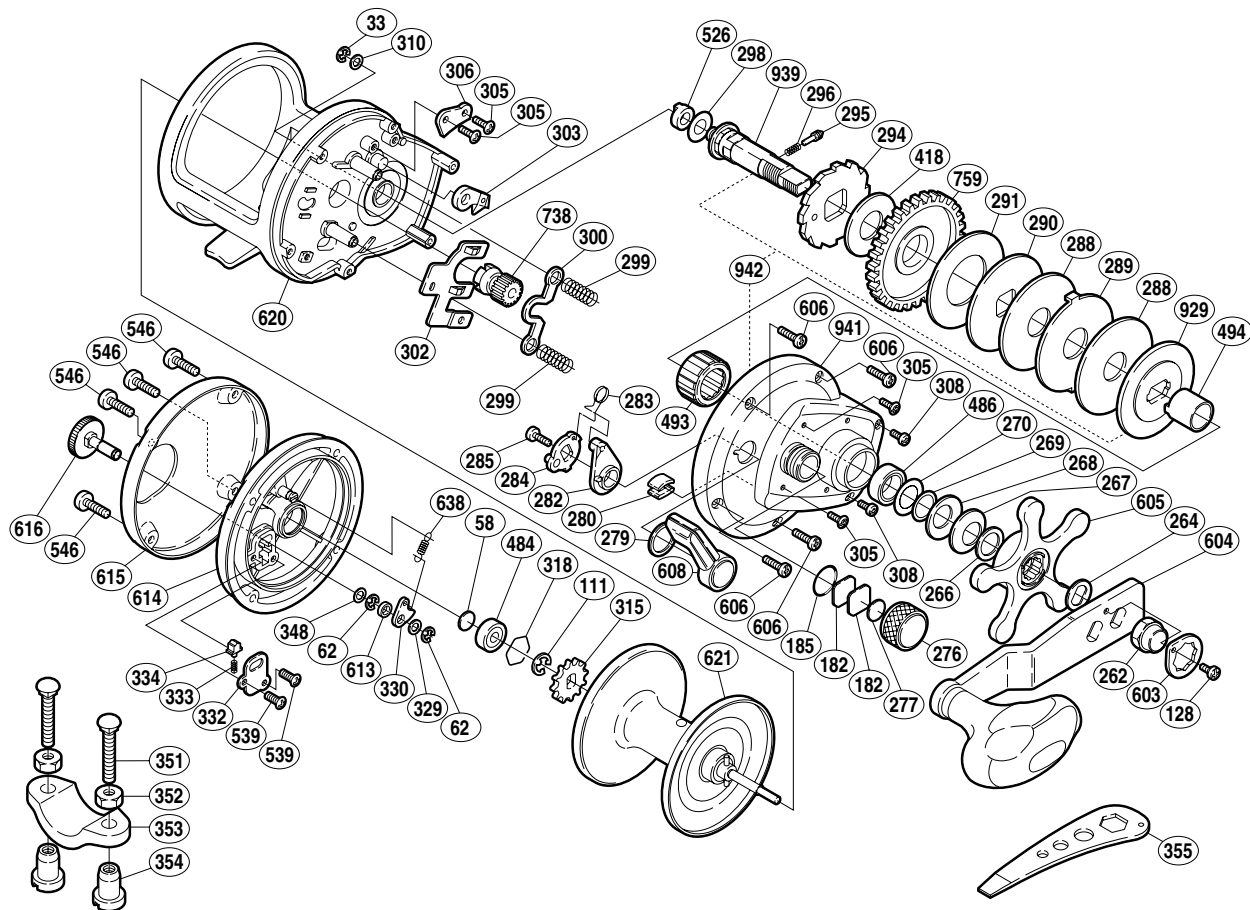


SHIMANO

TORIUM

TOR-20



| Part No. | Description | Part No. | Description | Part No. | Description |
|----------|-------------------------|----------|-----------------------------|----------|-------------------------------|
| TGT0033 | Drive Shaft Retainer | TGT0295 | Click Pin | TGT0603 | Handle Nut Plate |
| TGT0058 | Spacer "B" | TGT0296 | Click Spring | TGT0604 | Handle Assembly |
| TGT0062 | Click Pawl Retainer | TGT0298 | Drive Shaft Washer (B) | TGT0605 | Star Drag |
| TGT0111 | Click Gear Retainer | TGT0299 | Yoke Spring | TGT0606 | Right Side Plate Screw (A) |
| TGT0128 | Handle Nut Plate Screw | TGT0300 | Yoke | TGT0608 | Clutch Lever |
| TGT0182 | Cast Control Spacer (A) | TGT0302 | Yoke Plate | TGT0613 | Click Pawl Spacer |
| TGT0185 | "O" Ring | TGT0303 | Anti-Reverse Pawl | TGT0614 | Left Side Plate |
| TGT0262 | Handle Nut | TGT0305 | Multi-Purpose Screw | TGT0615 | Left Side Plate Cover |
| TGT0264 | Drive Shaft Shield | TGT0306 | Anti-Reverse Pawl Keeper | TGT0616 | Click Button |
| TGT0266 | Star Drag Washer | TGT0308 | Right Side Plate Screw (D) | TGT0620 | One-Piece Frame |
| TGT0267 | Drag Spring Washer (9L) | TGT0310 | Drive Shaft Washer (A) | TGT0621 | Spool Assembly |
| TGT0268 | Drag Spring Washer (9H) | TGT0315 | Click Gear | TGT0638 | Click Pawl Spring |
| TGT0269 | Bearing Thrust Washer | TGT0318 | Bearing Retainer | TGT0738 | Pinion Gear |
| TGT0270 | Bearing Seal | TGT0329 | Spacer (B) | TGT0759 | Drive Gear |
| TGT0276 | Cast Control Cap | TGT0330 | Click Pawl | TGT0929 | Key Washer |
| TGT0277 | Cast Control Spacer (B) | TGT0332 | Click Spring Retainer | TGT0939 | Drive Shaft |
| TGT0279 | Smoother | TGT0333 | Click Spring | TGT0941 | Right Side Plate |
| TGT0280 | Line Clip | TGT0334 | Click Spring Holder | TGT0942 | Upgrade Assembly |
| TGT0282 | Eccentric Cam Bushing | TGT0348 | Spacer (C) | | |
| TGT0283 | Clutch Spring | TGT0418 | Drag Washer (A) | | |
| TGT0284 | Clutch Cam | TGT0484 | Ball Bearing | | |
| TGT0285 | Clutch Lever Screw | TGT0486 | Ball Bearing | TGT0351 | Rod Clamp Bolt (accessory) |
| TGT0288 | Drag Washer (D) | TGT0493 | Roller Clutch Bearing | TGT0352 | Rod Clamp Nut (B) (accessory) |
| TGT0289 | Eared Washer (E) | TGT0494 | Roller Clutch Inner Tube | TGT0353 | Rod Clamp (accessory) |
| TGT0290 | Key Washer (C) | TGT0526 | Drive Shaft Bushing | TGT0354 | Rod Clamp Nut (A) (accessory) |
| TGT0291 | Drag Washer (B) | TGT0539 | Click Spring Retainer Screw | | |
| TGT0294 | Anti-Reverse Ratchet | TGT0546 | Left Side Plate Screw | TGT0355 | Wrench (accessory) |